

6036BSTM – EVERYDAY TUB/SHOWERS

60 x 36 ¼ – 42 x 71 ¾ inches

SOAKER MODEL #6036BSTM

WHIRLPOOL MODEL #6036BSTMWP



AQUATIC ADVANTAGE

- National distribution
- 7 manufacturing facilities
- Private fleet
- Centralized customer service
- Field support

COLOR OPTIONS

Stock	Upgraded	Premium
White	Almond Biscuit/Linen Bone	Black Mexican Sand Sand Bar Sterling Silver

FEATURES

- Tub-shower
- Smooth tile finish
- Integral bowed skirt
- Above-floor rough
- Ergonomic backrest
- Molded toiletry shelves
- Slip-resistant textured bottom
- Left or right hand drain
- AcrylX™ applied acrylic surface
- West zone only
- Lifetime limited warranty

Whirlpool Features:

- 6 directional hydrotherapy jets
- Available in White and Biscuit/Linen only
- Color matched trim
- Pneumatic on/off control
- Advanced safety suction system

OPTIONS

- Designer drain, waste & overflow

Note: Not IPC compliant to 72" minimum height requirement. Alternative is 2603BSTM.



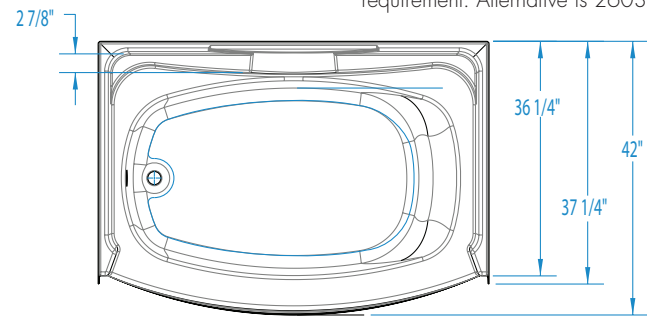
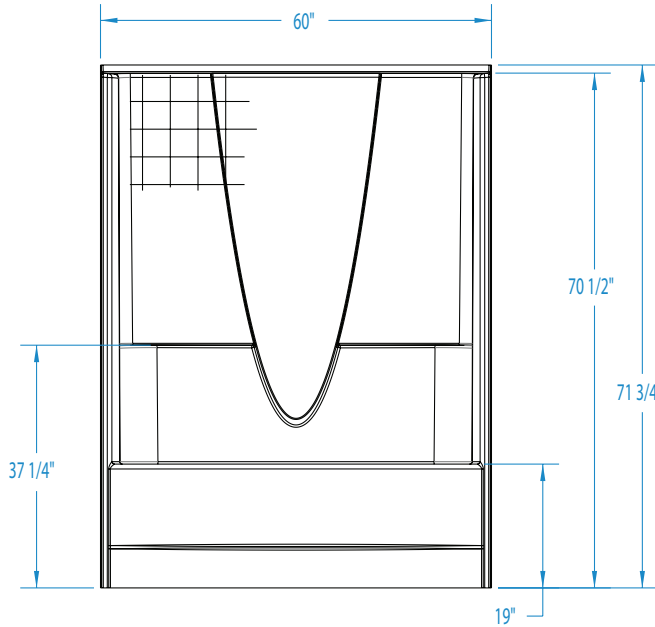
6036BSTM

60 x 36 1/4 - 42 x 71 3/4
inches



AFR: Allows for above the floor installation of waste, overflow and drainage.

Note: Not IPC compliant to 72" minimum height requirement. Alternative is 2603BSTM.



FEATURES lbs Dimensional Tolerance $\pm 3/8"$. Dimensions needed for site preparation should be measured from the unit. Aquatic assumes no responsibility for preparatory work.

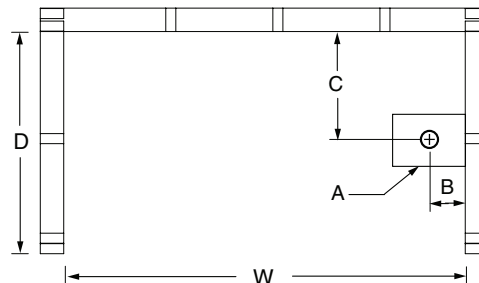
Model #	Material	Wall Finish	Jets	Motor	Controls	Drain	Net Wt.	Pkg. Wt.
AFR Soaker #6036BSTM	AcrylX™	Smooth Tile	–	–	–	LH or RH	154	159
AFR Whirlpool #6036BSTMWVP	AcrylX™	Smooth Tile	6	63 GPM	Pneumatic	LH or RH	204	209

DIMENSIONS

Specifications	inches
Width: Overall / Net	60
Depth: Overall / Net	36 1/4 - 42
Height: Overall / Net	71 3/4 / 70 1/2
Enclosure Opening	56
Skirt Height	19
Drain Rough-In (from Back Wall)	21 1/8
Drain Rough-In (from Side Wall)	2 7/8
Drain: Diameter / Clearance	2 / 3

FRAMING DIMENSIONS inches

Type	D Depth	W Width	H Height	A	B	C
Alcove	37 1/4	60 1/8	–	Box Out	2 7/8	21 1/8



SUMP DATA

Top of Drain to Bottom of Overflow	Capacity to Overflow gal	Min. Operating Capacity gal	WIDTH @ centerline		DEPTH @ centerline	
			Top	Bottom	Top	Bottom
12 1/4	49	47	50 3/4	43 7/8	29 7/8	27 3/8