

6636SMIN – EVERYDAY BATHS

66 x 36 x 18 inches

SOAKER MODEL #6636SMIN

WHIRLPOOL MODEL #6636SMINWP



FEATURES

- Alcove bath
- Integral skirt
- Deep bathing well
- Ergonomic backrest
- Slip-resistant textured bottom
- Left or right hand drain
- AcrylX™ applied acrylic surface
- Lifetime limited warranty

Whirlpool Features:

- 6 directional hydrotherapy jets
- Available in White and Biscuit/Linen only
- Color matched trim
- Pneumatic on/off control
- Advanced safety suction system
- Removable access panels

AQUATIC ADVANTAGE

- National distribution
- 7 manufacturing facilities
- Private fleet
- Centralized customer service
- Field support

COLOR OPTIONS

Stock	Upgraded	Premium
White	Almond Biscuit/Linen Bone	Black Mexican Sand Sand Bar Sterling Silver

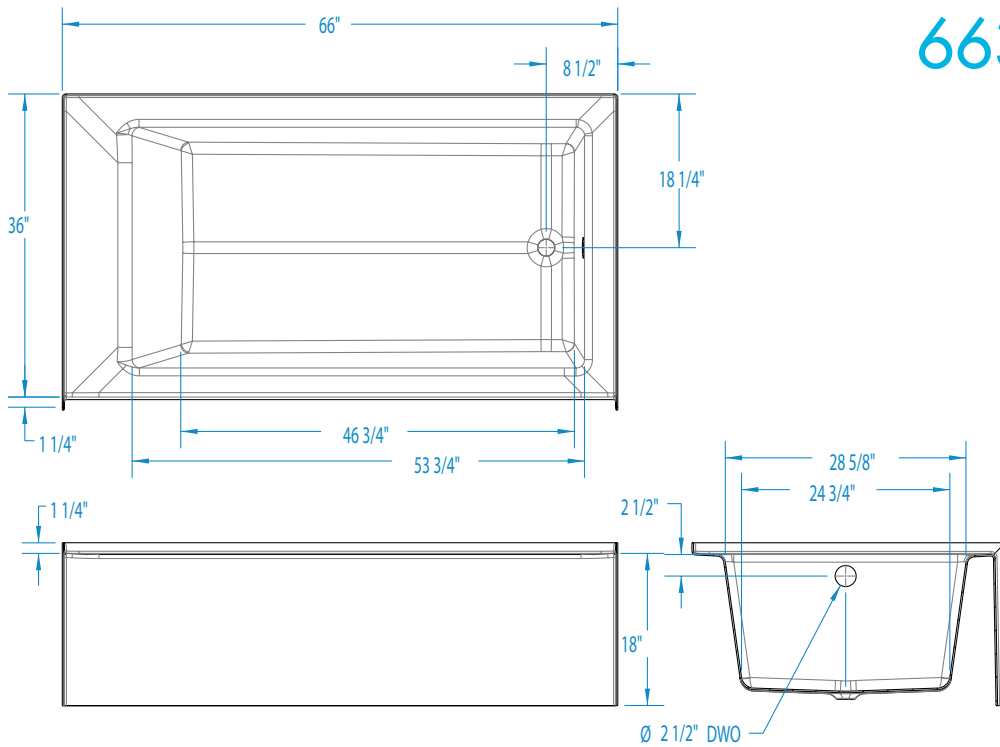
OPTIONS

- Designer drain, waste & overflow



6636SMIN

66 x 36 x 18 inches



FEATURES lbs Dimensional Tolerance $\pm \frac{3}{16}$ ". Dimensions needed for site preparation should be measured from the unit. Aquatic assumes no responsibility for preparatory work.

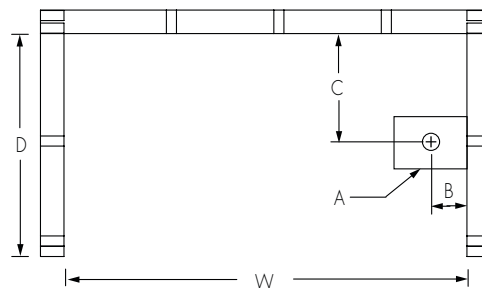
Model #	Material	Jets	Motor	Controls	Drain	Net Wt.	Pkg. Wt.
Soaker #6636SMIN	AcrylX™	0	–	–	LH or RH	63	68
Whirlpool #6636SMINWP	AcrylX™	6	63 GPM	Pneumatic	LH or RH	103	108

DIMENSIONS

Specifications	inches
Width: Overall / Net	66
Depth: Overall / Net	37 1/4 / 36
Height: Overall / Net	19 1/4 / 18
Enclosure Opening	–
Skirt Height	18
Drain Rough-In (from Back Wall)	18 1/4
Drain Rough-In (from Side Wall)	3
Drain: Diameter / Clearance	2 / 7/8

FRAMING DIMENSIONS inches

Type	D Depth	W Width	H Height	A	B	C
Alcove	37 1/4	66 1/8	19 1/4	Box Out	3	18 1/4



SUMP DATA

Top of Drain to Bottom of Overflow	Capacity to Overflow gal	Min. Operating Capacity gal	WIDTH @ centerline		DEPTH @ centerline	
			Top	Bottom	Top	Bottom
12 1/2	52	45	53 3/4	46 3/4	28 3/8	24 3/4