

Item Code and Description

- a. 21205
- b. 35½" × 35½" TrueDEK linear shower base

General Product Description

- a. prefabricated, tileable, structural, pre-sloped shower foundation
- b. cover with decorative tile, stone, or weldable resilient flooring

Physical Characteristics

- a. made of fiberglass resin, marine-grade plywood, steel pipe, and gel coat
- b. spans 16" o.c. joist systems
- c. edges are 7/8" thick
- d. integrated drain gully with three options for drain outlet position
- e. four gradient planes
- f. gradients are 2% per foot or greater—varies due to length of pitch
- g. perimeter has flat rim for easier leveling
- h. color: white
- i. weight: approximately 33 lbs.
- j. made from 100% recyclable materials

Performance Characteristics

- a. pre-pitched foundation for shower construction
- b. install on wood or engineered joist systems, on subfloor, or on concrete
- c. drain gully must hang freely in space between joists
- d. not suitable for cutting to custom size or shape
- e. install a drain connector in preferred location or install additional connectors for high flow water management
- f. rated to carry a 560 lb. load when installed on joists spaced 16" o.c. supplemented with perimeter and drain hole blocking (increase load capacity with additional blocking and support)
- g. complete installation requires a Linear Drain Assembly and waterproofing materials
- h. remove tile, redo waterproofing, and re-tile without damaging foundation

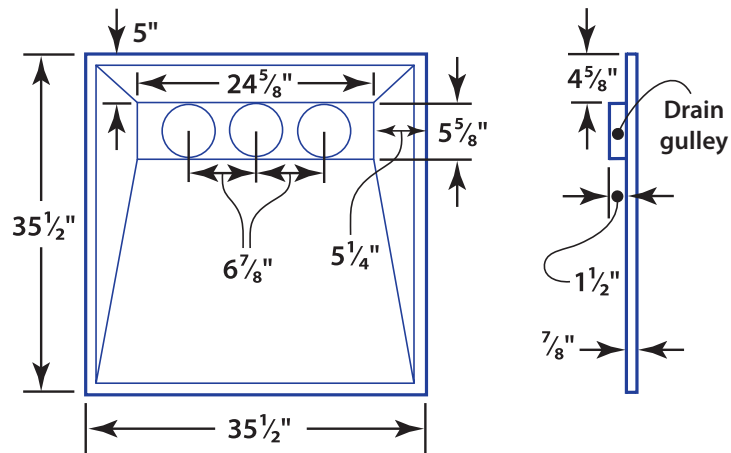
Compliance

- a. ICC PMG-1223 lists compliance with:
 1. 2015, 2012 and 2009 International Residential Code® (IRC)
 2. 2015, 2012 and 2009 International Plumbing Code® (IPC)
 3. 2015, 2012 and 2009 Uniform Plumbing Code® (UPC)
 4. 2010 and 2005 National Plumbing Code of Canada (NPC)
 5. IAPMO PS106-2015e1 for prefabricated, tileable shower receptors
 6. CSA B45.5/IAPMO Z124-2011, Plastic Plumbing Fixtures
- b. QAI Laboratories test report no. RJ4241-1
 1. meets conditions of classification for 30-minute flame spread index and smoke developed index per ASTM E84 requirements



Other Information

- a. AKW limited lifetime warranty



Linear shower base showing four gradients and three outlet locations in drain gully.

