

# WALL-MOUNT OUTDOOR SHOWER

Cat. No.  
OSH104-SB



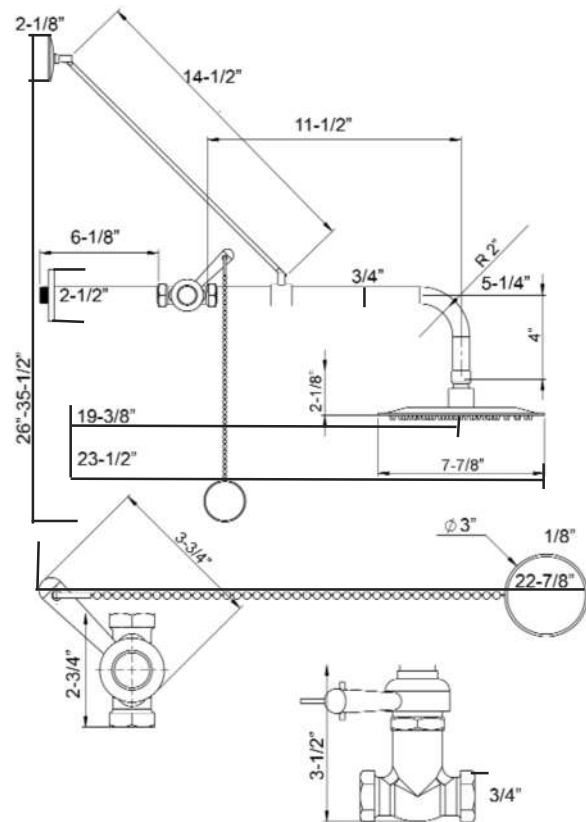
## Features:

- ▶ Stainless steel construction
- ▶ Wall-mount outdoor shower
- ▶ Rainfall shower head
- ▶ Shower head swivels
- ▶ 1/2" NPT connection
- ▶ 8" Shower head diameter
- ▶ 14-1/2" Ceiling support kit included
- ▶ Cold water only
- ▶ Self closing valve

## Finish:

**SB** Brushed Stainless Steel

Width: 8"  
Depth: 23-1/2"  
Max height: 35-1/2"  
Min height: 26"



Dimensions of fixture are nominal and may vary. Dimensions and specifications subject to change without notice.

09/15/2021

P 847•244•1234

www.barclayproducts.com