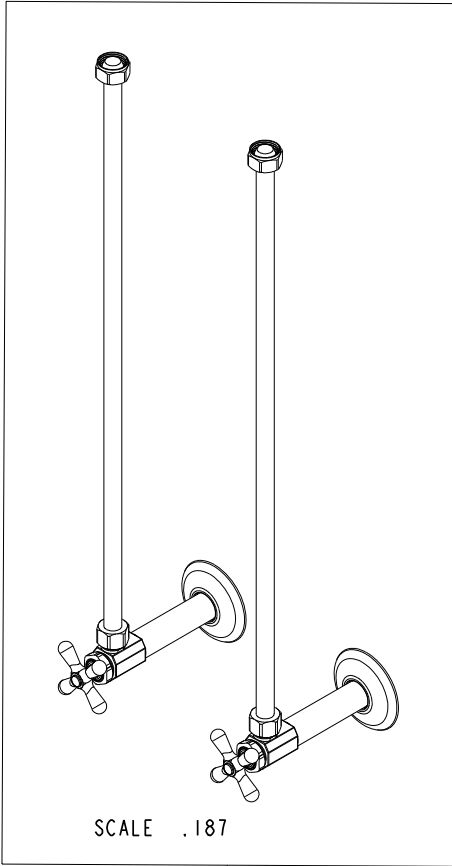


BILL OF MATERIAL (CURRENT LEVEL)

ITEM	PT/ASSY	DESCRIPTION	TYPE	QTY.
1	400X	INLET 1/2" IPS OUTLET 1/2" O.D. COMPRESSION	ASSEMBLY	2
2	430	1/2" O.D. X 20" BULLNOSE RID SUP TUBE	ASSEMBLY	2
3	450	NIPPLE	ASSEMBLY	2
4	442	BRASS FLANGE	PART	2



COPYRIGHT 2005 BRASSTECH, INC. THESE DRAWINGS AND THE DESIGNS DEPICTED HEREIN ARE THE PROPRIETARY PROPERTY OF BRASSTECH. ANY USE OR REPRODUCTION IS SUBJECT TO THE EXPRESS APPROVAL OF BRASSTECH. UNAUTHORIZED USE IS STRICTLY PROHIBITED. ALL RIGHTS RESERVED.

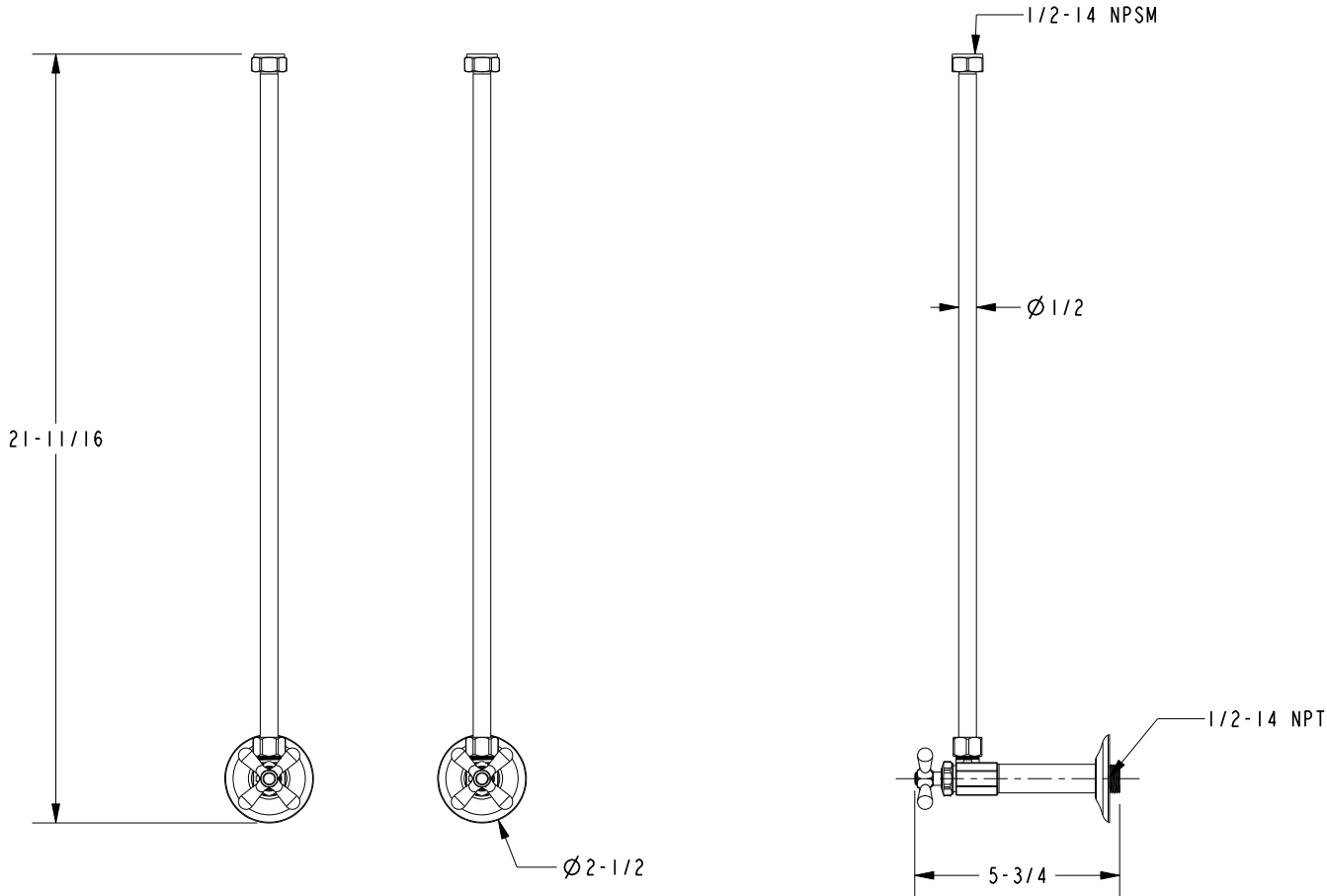
BRASSTECH
INCORPORATED

2001 CARNEGIE AVE.
SANTA ANA, CA 92705
(949) 417-5207

SUPPLY KIT 1/2" IPS X 1/2" CMP W/ X HDL

ASSY. NO.	492X			-	-	-
SCALE .187	REF. -	SHEET 1 OF 2	REV	REV DESC	EN-2540	DATE 06/03/13

SPECIFICATION DWG



DIMENSIONS ARE IN INCHES AND AN APPROXIMATION OF A TYPICAL INSTALLATION

COPYRIGHT 2005 BRASSTECH, INC. THESE DRAWINGS AND THE DESIGNS DEPICTED HEREIN ARE THE PROPRIETARY PROPERTY OF BRASSTECH. ANY USE OR REPRODUCTION IS SUBJECT TO THE EXPRESS APPROVAL OF BRASSTECH. UNAUTHORIZED USE IS STRICTLY PROHIBITED. ALL RIGHTS RESERVED.

BRASSTECH		2001 CARNEGIE AVE. SANTA ANA, CA 92705 (949) 417-5207	
INCORPORATED			
DWG NO.	492X	REV	-
SCALE .187	REF. -	SHEET 2	OF 2