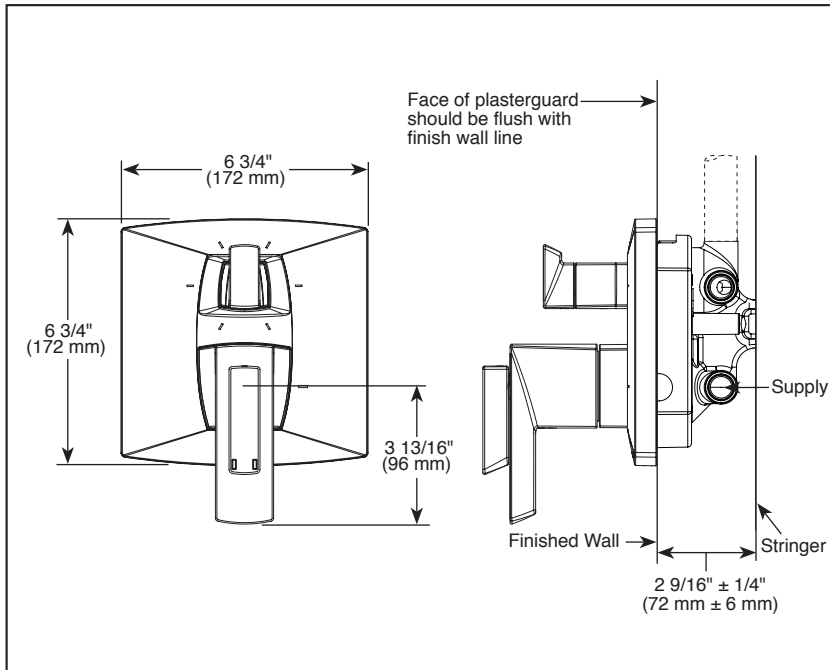
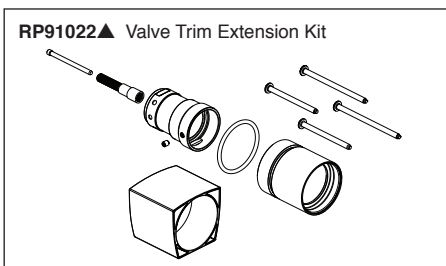


Submitted Model No.: _____

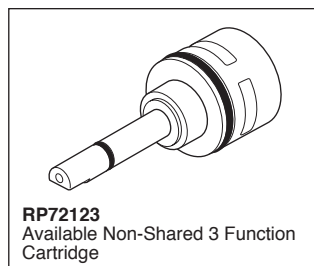
Specific Features: _____



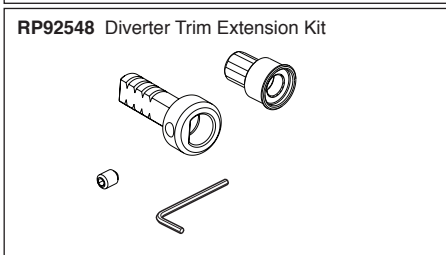
▲ Designate Proper Finish Suffix



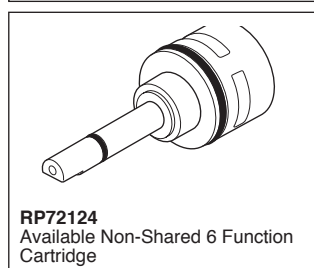
RP91022▲ Valve Trim Extension Kit



RP72123
Available Non-Shared 3 Function
Cartridge



RP92548 Diverter Trim Extension Kit



RP72124
Available Non-Shared 6 Function
Cartridge

BRIZO®

TEMPASSURE® THERMOSTATIC VALVE WITH INTEGRATED DIVERTER TRIM

- Vettis™ Bath Collection
- Valve Trim with Three Function Diverter (T75588)
- Valve Trim with Six Function Diverter (T75688)

FEATURES:

- TempAssure® Thermostatic valve cartridge
- Three or six function diverter

STANDARD SPECIFICATIONS:

- Main control utilizes TempAssure® Thermostatic valve cartridge
- Thermostatic wax element maintains the outlet temperature to $\pm 3.6^\circ\text{F}$
- For use with MultiChoice® Universal integrated shower diverter rough valve body (R75000 Series)
- Maximum system flow rate 7.2 gpm @ 60 psi with R75000
- Back-to-back installation capability
- Top handle controls diverter functions
- Bottom (2) handles control volume and temperature
- Field adjustable to limit temperature handle rotation into hot water zone
- Bottom volume handle 90° Maximum rotation
- Red/blue temperature indication on handle
- Three function diverter has 2 individual positions and 1 shared position
- For two individual functions, no shared functions, order additional RP72123
- Six function diverter has 3 individual positions and 3 shared positions
- For three individual functions, no shared functions, order additional RP72124
- 1/2" rough-in
- Cartridges included
- Standard installation allows up to 1-1/8" finished wall thickness
- Optional extension kits RP91022▲ and RP92548 can accommodate up to 1" of additional wall thickness. Both RP kits required.

WARRANTY

- Lifetime limited warranty on parts (other than electronic parts and batteries) and finishes; or, for commercial users, for 5 years from date of purchase.
- 5 year limited warranty on electronic parts (other than batteries); or, for commercial users, for 1 year from the date of purchase. No warranty is provided on batteries.

COMPLIES WITH:

- ASME A112.18.1 / CSA B125.1
- ☑ Indicates compliance to ICC/ANSI A117.1