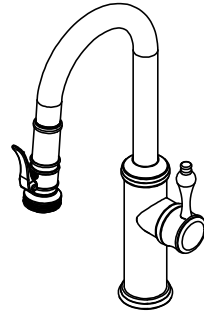


**Features**

- Over 28 finishes including 13 PVD finishes
- All brass construction
- 360° rotating spout
- PDS™ "Positive Docking System" secures sprayhead into spout
- Squeeze lever switches between aerated and spray modes
- Spray jets have easy-to-clean surface that withstands mineral build-up
- Quiet polymer-braided hose with rotating joint at sprayhead allows for smooth and non-binding use
- Ceramic disc cartridge
- Max flow rate: 1.8 gpm (6.8 L/m)

**CF-K10-101SQ-XX**



**Codes/Standards Applicable**

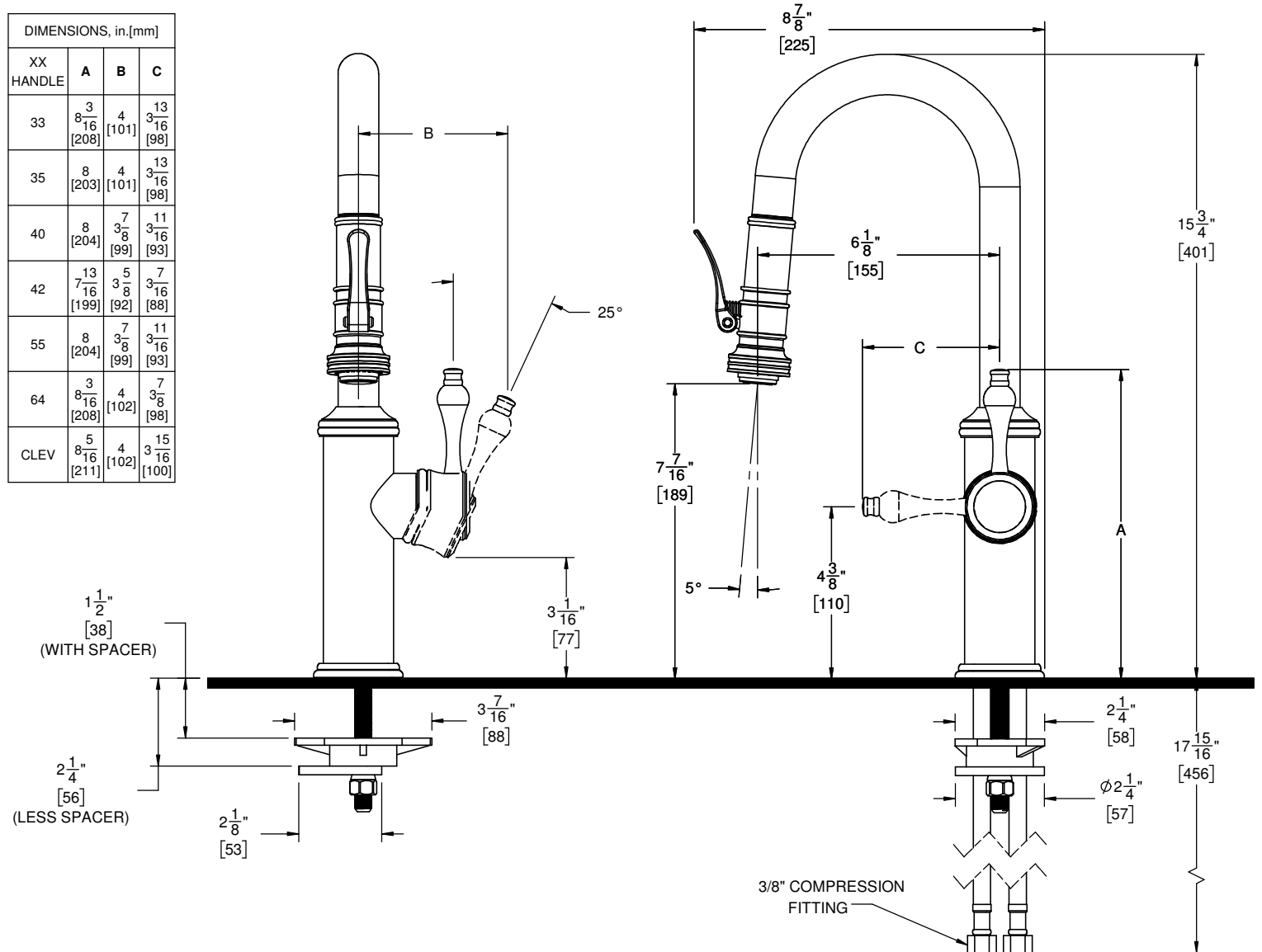
Meets or exceeds the following at date of manufacture:

- ASME A112.18.1/CSA B125.1
- NSF 61 and NSF 372
- CEC / DOE
- Commonwealth of MA
- ADA Compliant

CF-K10-101SQ-42-ZZ SHOWN

XX = DENOTES HANDLE STYLE

| DIMENSIONS, in.[mm] |                                       |                                    |                                       |
|---------------------|---------------------------------------|------------------------------------|---------------------------------------|
| XX HANDLE           | A                                     | B                                  | C                                     |
| 33                  | 8 <sup>3</sup> / <sub>16</sub> [208]  | 4 [101]                            | 13 <sup>3</sup> / <sub>16</sub> [98]  |
| 35                  | 8 [203]                               | 4 [101]                            | 13 <sup>3</sup> / <sub>16</sub> [98]  |
| 40                  | 8 [204]                               | 7 <sup>3</sup> / <sub>8</sub> [99] | 11 <sup>3</sup> / <sub>16</sub> [93]  |
| 42                  | 13 <sup>7</sup> / <sub>16</sub> [199] | 5 <sup>3</sup> / <sub>8</sub> [92] | 7 <sup>3</sup> / <sub>16</sub> [88]   |
| 55                  | 8 [204]                               | 7 <sup>3</sup> / <sub>8</sub> [99] | 11 <sup>3</sup> / <sub>16</sub> [93]  |
| 64                  | 8 <sup>3</sup> / <sub>16</sub> [208]  | 4 [102]                            | 7 <sup>3</sup> / <sub>8</sub> [98]    |
| CLEV                | 5 <sup>8</sup> / <sub>16</sub> [211]  | 4 [102]                            | 15 <sup>3</sup> / <sub>16</sub> [100] |



| THROUGH-HOLE SPECIFICATIONS |             |          |
|-----------------------------|-------------|----------|
| MIN                         | RECOMMENDED | MAX      |
| ∅ 1-1/4"                    | ∅ 1-3/8"    | ∅ 1-3/8" |

SPECIFICATIONS SUBJECT TO CHANGE WITHOUT NOTICE

ALL DIMENSIONS SHOWN TO NEAREST 1/16"  
[ALL DIMENSIONS SHOWN TO NEAREST 1MM]"