

California Faucets®

Descanso®

Bridge Kitchen Faucet

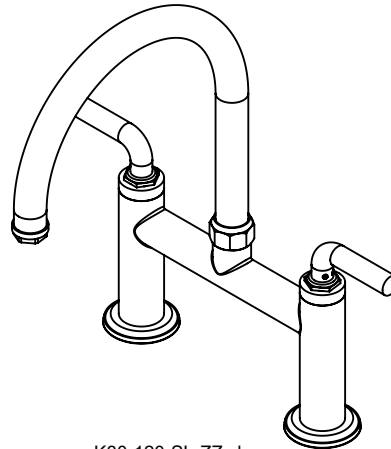
Features

- 25+ artisanal finishes including 12 PVD finishes
- All brass construction
- Spout rotates 360°
- 2-hole deck mount installation
- Flexible braided hoses for ease of installation
- 1/4 turn ceramic disc cartridge(s)
- 1.8 gpm (6.8 L/min) max flow rate

Codes/Standards Applicable

Product meets or exceeds the following:

- ASME A112.18.1/CSA B125.1
- NSF 61, NSF 372, CEC & DOE
- Commonwealth of MA
- ADA compliant (with lever handles)

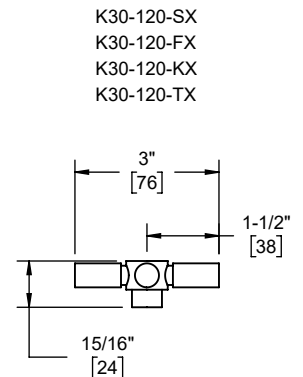
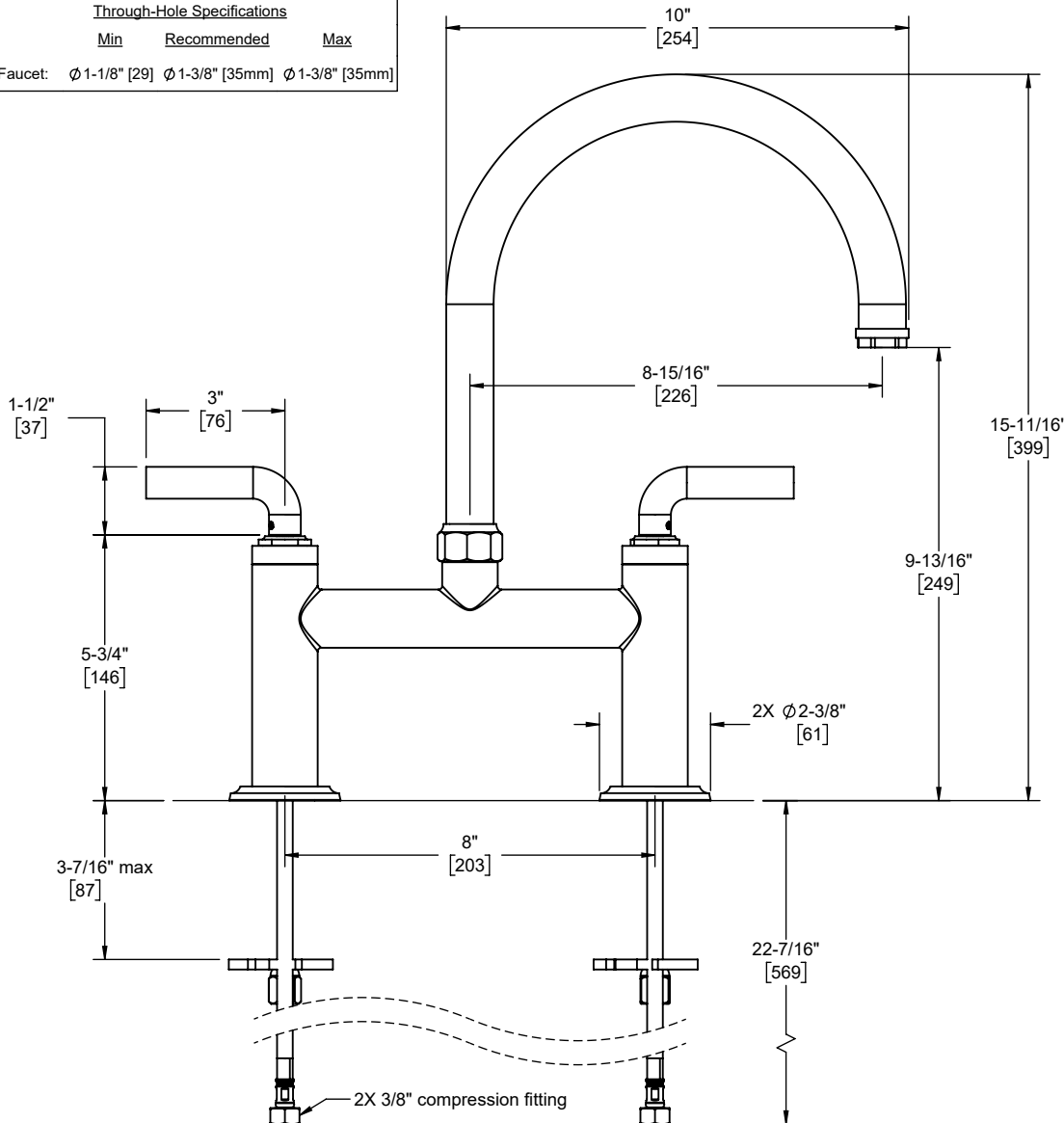


K30-120-SL-ZZ shown

- K30-120-SL
- K30-120-FL
- K30-120-KL
- K30-120-TL
- K30-120-SX
- K30-120-FX
- K30-120-KX
- K30-120-TX



Through-Hole Specifications		
Min	Recommended	Max
Faucet: $\varnothing 1\text{-}1/8"$ [29]	$\varnothing 1\text{-}3/8"$ [35mm]	$\varnothing 1\text{-}3/8"$ [35mm]



- K30-120-SX
- K30-120-FX
- K30-120-KX
- K30-120-TX

Specifications subject to change without notice

Dimensions are inches, rounded to 1/16"
[Dimensions in brackets are mm, rounded to 1mm]