



Features

- Available in 27 finishes including 12 PVD finishes
- All brass construction
- 1.2gpm (4.5 L/min) max flow rate
- Rough valve (VL-R) sold separately

Codes/Standards Applicable

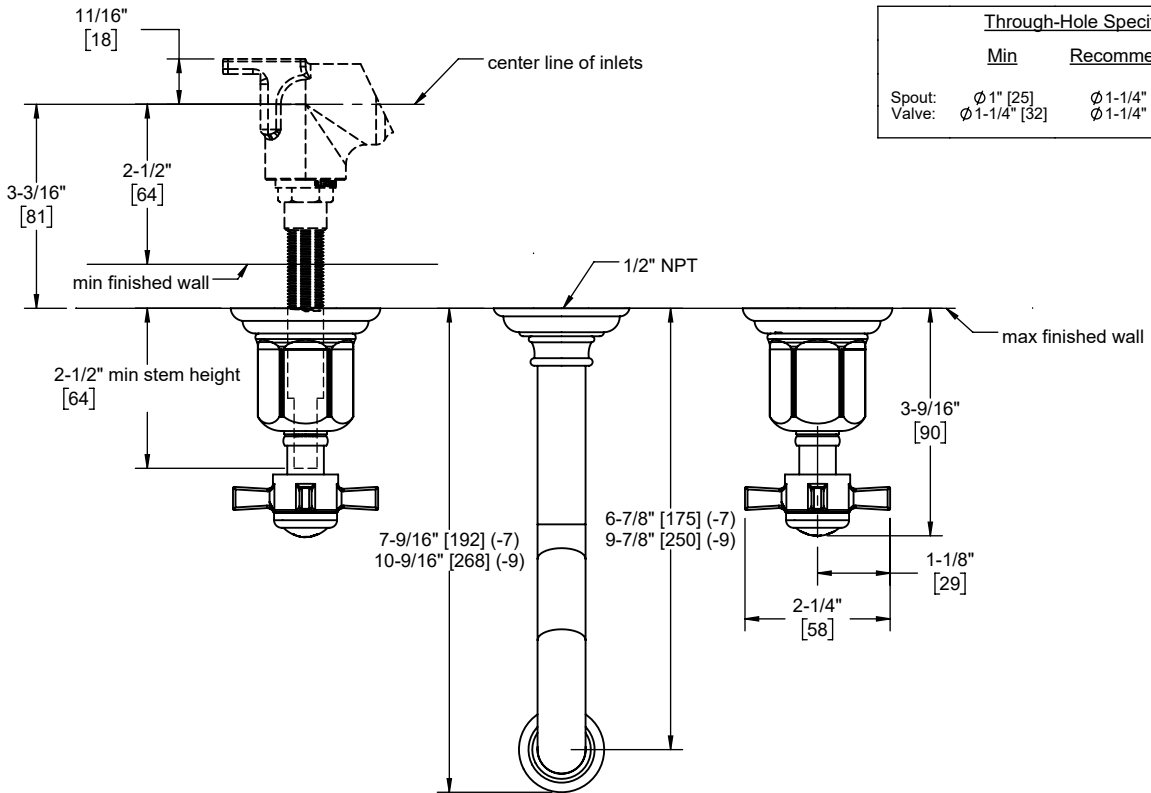
Product meets or exceeds the following:

- ASME A112.18.1/CSA B125.1
- NSF 61, NSF 372, CEC & DOE
- EPA WaterSense
- Commonwealth of MA

TO-V3402-7
TO-V3402-9



TO-V3402-7 shown



Through-Hole Specifications			
	Min	Recommended	Max
Spout:	Ø 1" [25]	Ø 1-1/4" [32]	Ø 1-3/8" [35]
Valve:	Ø 1-1/4" [32]	Ø 1-1/4" [32]	Ø 1-9/16" [40]

