



Specifications

DESCRIPTION

- Non-metallic spray face and shell
- Available in various finishes identified by suffix
- Fixed mount showerhead only
- Brass swivel ball assembly

OPERATION

- Four functions: massage, fine, full and combination (massage and full); rotate outer ring to select

FLOW

- Designed to deliver 1.75 gpm (6.6 L/min) at 80 psi

STANDARDS

- Third party certified to meet ASME A112.18.1/ CSA B125.1 and all applicable requirements referenced therein
- Compliant with California water efficiency regulations
- Meets Watersense® criteria

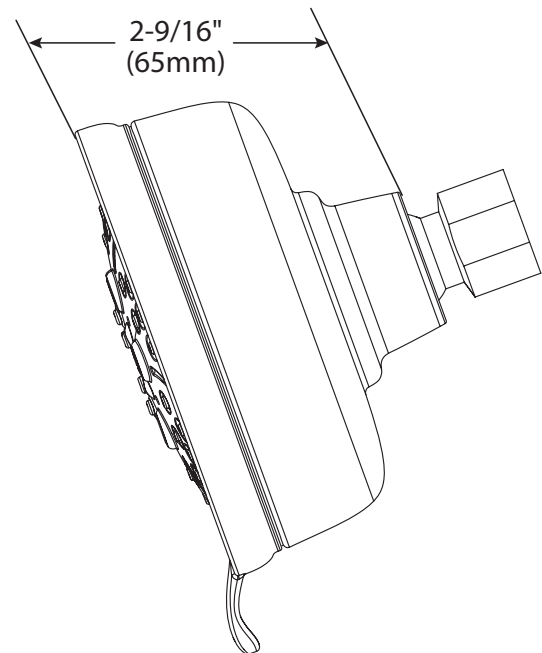
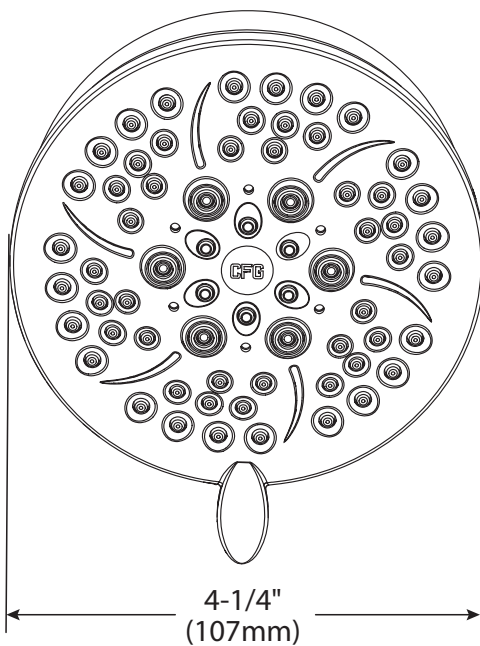
WARRANTY

- 10 year limited warranty against defects in materials and manufacturing workmanship
- 10 year limited warranty when used in a multifamily installation



4-Function Showerhead

Models:
48401GR series



CRITICAL DIMENSIONS

(DO NOT SCALE)