

see what Delta can do<sup>SM</sup>

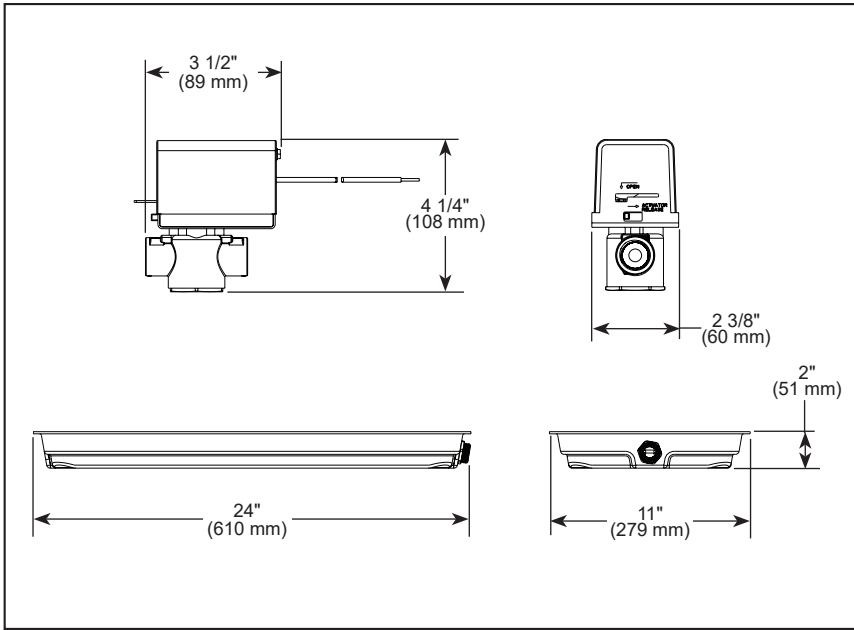
## GENERATOR PAN AND AUTO DRAIN

### GENERATOR PAN STANDARD SPECIFICATIONS:

- High-temp impact-resistant resin
- Weight capacity: 250lbs.
- Package includes: Pan with 3/4" MGHT male threaded NPT and 1/2" NPT Female brass connection
- For use with 5GE-SMP and 5P-EST Series Generators

### AUTO DRAIN STANDARD SPECIFICATIONS:

- Connects to a factory installed auto drain PCB terminal block, located inside the generator cabinet
- Inlet & Outlet - 1/2" NPT brass female thread
- For use with 5GE-SMP and 5P-EST Series Generators
- Normally Closed (N.C.) Valve



### WARRANTY

- Please see separate warranty documentation