

### SPECIFICATIONS

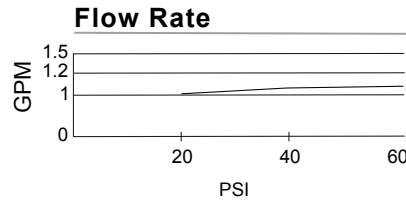
## PARMA™ SINGLE HANDLE VESSEL LAVATORY FAUCET

### Model

D225158

### Description

- Ceramic disc valve
- 12" high swivel spout, 8 1/2" spout length
- 360° spout swivel
- Metal grid strainer drain with cover for vessels with or without overflow
- 4" deck plate DA667229 sold separately for single hole mounting
- 1.2gpm (4.5L/min) maximum flow rate @60 psi
- Meets CEC Requirement



### Standards



NSF/ANSI 372

- NSF/ANSI 372

MEETS ASME A112.18.1M/A112.18.1

- ASME A112.18.1M/A112.18.1



- ADA Accessibility Guidelines for Buildings and Facilities - 309.4 Operation for Operable Parts

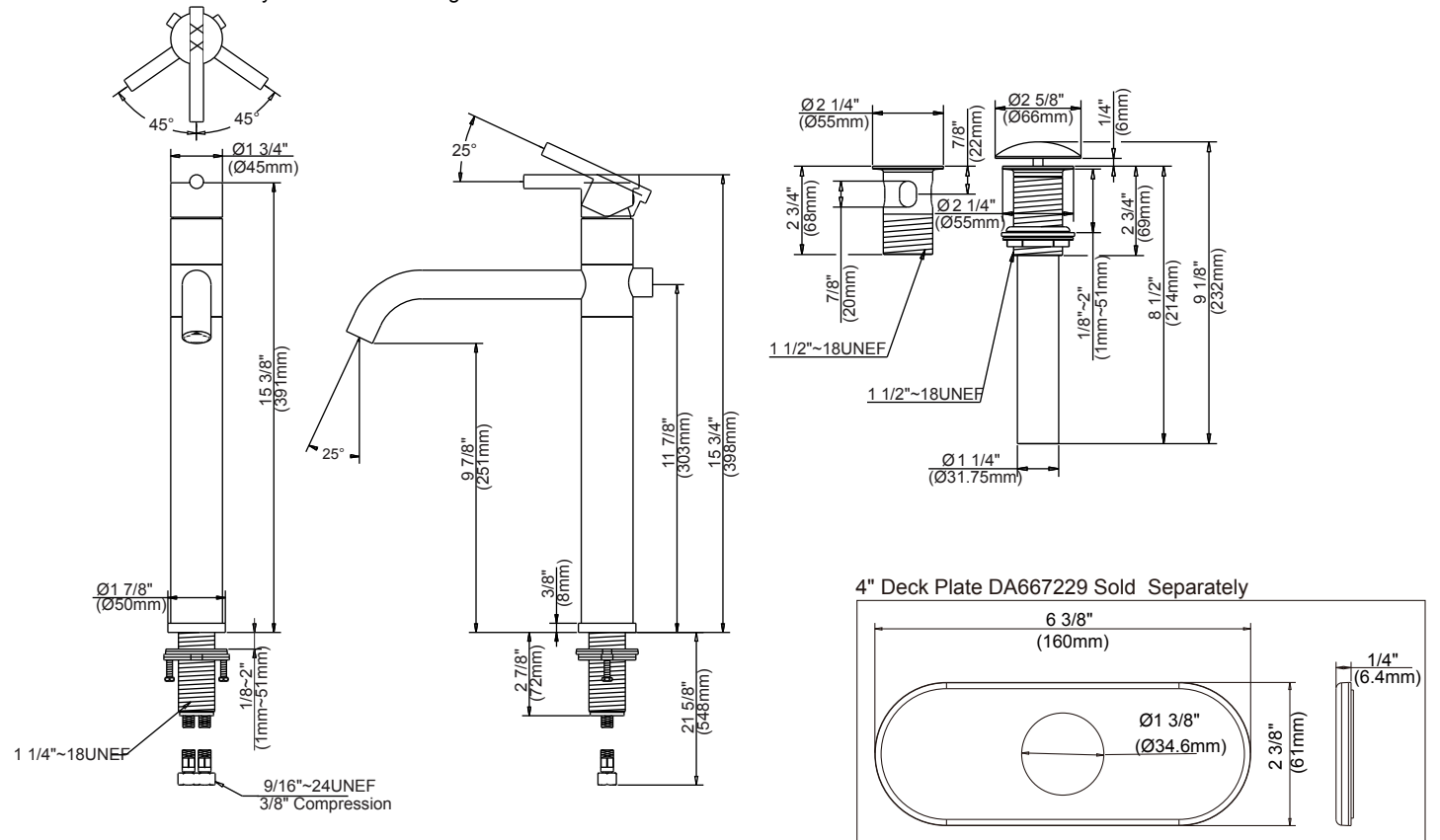
- WaterSense Pending

### Finishes Available

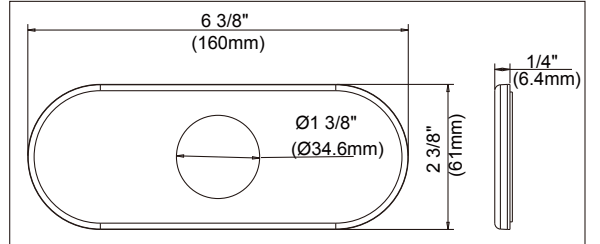
- Chrome
- Other: Refer to Price List for additional finish

### Warranty

Danze products are covered by a manufacturer's limited "lifetime" warranty for manufacturing defects.



4" Deck Plate DA667229 Sold Separately



### Submittal Information:

Job Name: \_\_\_\_\_  
 Contractor: \_\_\_\_\_

Location: \_\_\_\_\_  
 Contact #: \_\_\_\_\_