



GERBER

www.gerberonline.com

LOGAN SQUARE™ 1.28 GPF Elongated ErgoHeight™ Toilet

12" Rough-In

Features:

□ HE-20-018

- Vitreous china
- Combination bowl and tank
- 3" flush valve with Fluidmaster® pilot valve for quiet fill
- 12" rough-in
- Elongated ErgoHeight™ bowl
- Dual-fed siphon jet action bowl (no splashing)
- 2" fully glazed trapway for effective waste removal
- Side tank lever
- 6 point tank to bowl connection for tank stability
- Sanitary bead for easy cleaning
- Color matched bolt caps included
- Toilet seat not included



Technical Information:

Included Components:

- Combination HE-20-018
- Bowl HE-21-538
- Tank HE-28-530

Fixtures:

Configuration	two-piece, elongated ErgoHeight™
Water per Flush	1.28 gpf (4.8 lpf)
Rough-In	12"
Height	32 1/4"
Width	18 3/4"
Depth	29 3/4"
Trapway	2"
Large Water Surface	10 1/2" x 8 1/8"
Shipping Weight	93 lbs

Optional Accessories: (to be purchased separately)

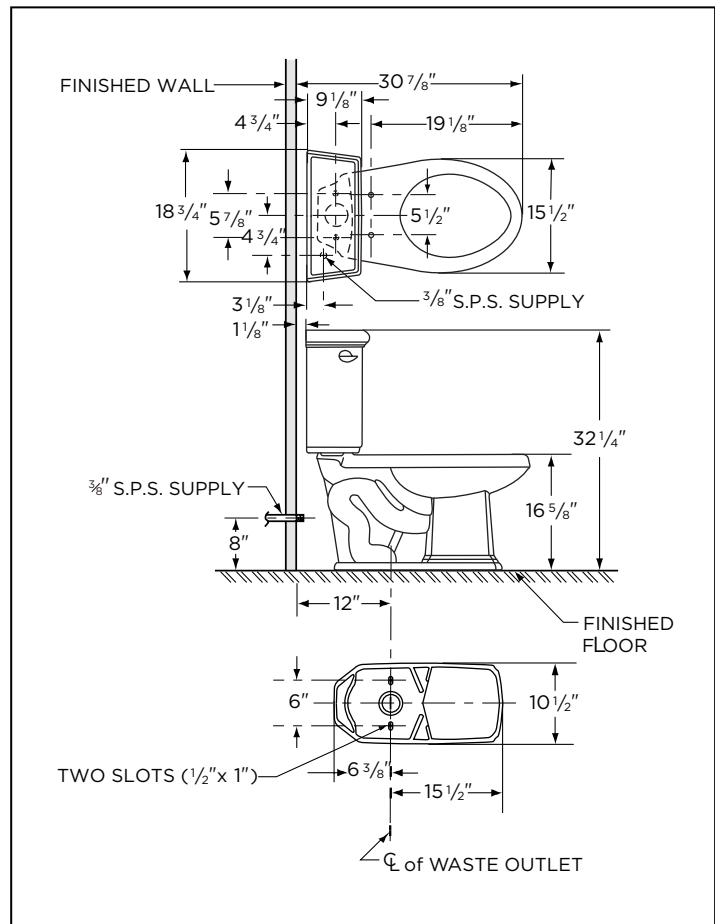
Soft Close Toilet Seat	99-213
------------------------	--------

Colors/Finishes:

- White
- Other: Refer to Price Book for additional colors/finishes

Warranty:

- Limited lifetime warranty



NOTES: All dimensions are in inches. Illustrations may not be drawn to scale.

IMPORTANT:

Dimensions of fixtures are nominal and may vary within the range of tolerances established by ASME standard A 112.19.2 THIS FIXTURE QUALIFIES ACCORDING TO ASME TEST PROCEDURES AS A HIGH EFFICIENCY WATER CLOSET WITH AN AVERAGE CONSUMPTION OF 1.28 gpf (4.8 Lpf) OR LESS.