

**Allegro E  
Pot Filler, Wall-Mounted**

Finishes : **steel optic** Part no. : **04059860**



**Description**

**Features**

- Swivel range 180°
- Aerated spray
- Wall-mounted
- Flow: 2.5 GPM (9.5 L/Min)
- 90° ceramic valves
- 1/2" NPT
- California Low Lead / Section 116875 CHSC

**Item details**

List Price \$ 1,247.00

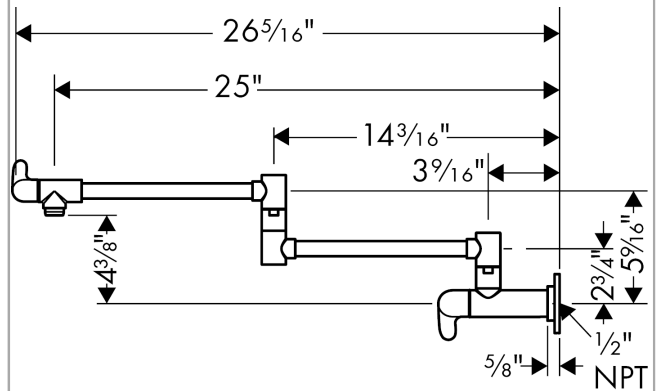
**Compliance**



**Product image**



**Scale drawing**



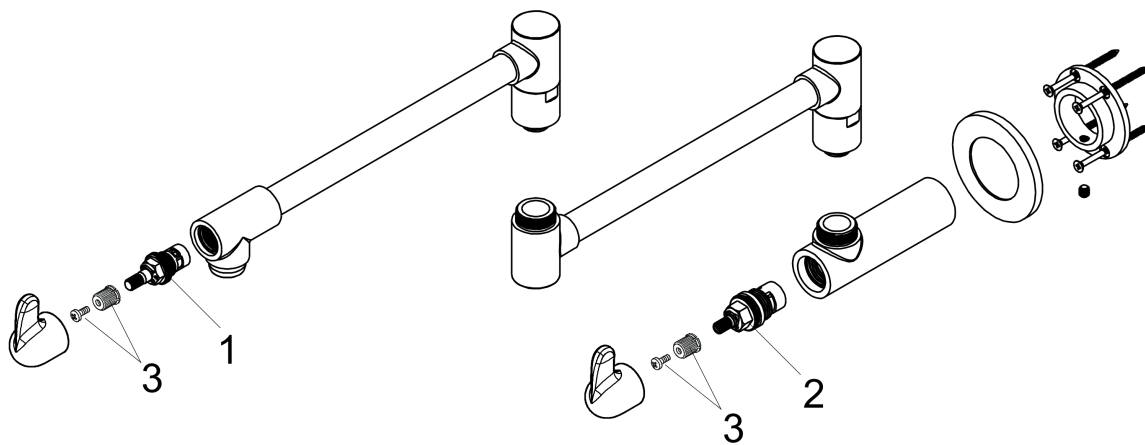
**Allegro E**  
**Pot Filler, Wall-Mounted**

Finishes : **steel optic** Part no. : **04059860**



**Exploded drawing**

Year of production: >08/08



**Allegro E**  
**Pot Filler, Wall-Mounted**

Finishes : **steel optic** Part no. : **04059860**



**Spare parts list**

Year of production: >08/08

| Pos. | Description       | Part no. | Price | PU |
|------|-------------------|----------|-------|----|
| 1    | shut off unit     | 88789000 | -     | 1  |
| 2    | shut off unit     | 88790000 | -     | 1  |
| 3    | handle fixing set | 98932000 | -     | 1  |