

Affinity Collection

# J54L

66" X 42" X 21"

END DRAIN



JETTASOAK  
HYDROTHERAPY

# JETTA


# PORTER

66" X 42" X 21" - RECTANGLE (1 PERSON)

## FEATURES

- Suitable for drop-in or undermount applications
- High gloss/high impact acrylic
- Totally insulated with polyurethane foam
- Pre-leveled lip
- Slip resistant bottom
- Linear drain
- 10 year limited factory warranty

## OPTIONS AVAILABLE

- Mood or LED light
- Spa pillows
- 6" acrylic grab bars
- JettaWARM Heated Backrest 


## COLORS AVAILABLE

**Standard Color:** White  
**Decorator Colors\*:** Bone, Biscuit, Black, Ice Grey

\*Require additional lead time

## RECOMMENDED OPERATING GALLONS

**Minimum:** 57  
**Maximum:** 113

 JettaWarm is a surface heating system secured beneath the acrylic in a blanket of insulation to provides gentle warmth on the back rest of your tub before your bath  
**JETTAWARM** begins.

Activates in minutes, bathers can relax from the moment they enter the tub. Soaker tubs have full backrest coverage, while a whirlpool or combo has a system designed to wrap around the hydrotherapy features and warm the acrylic where you need it.

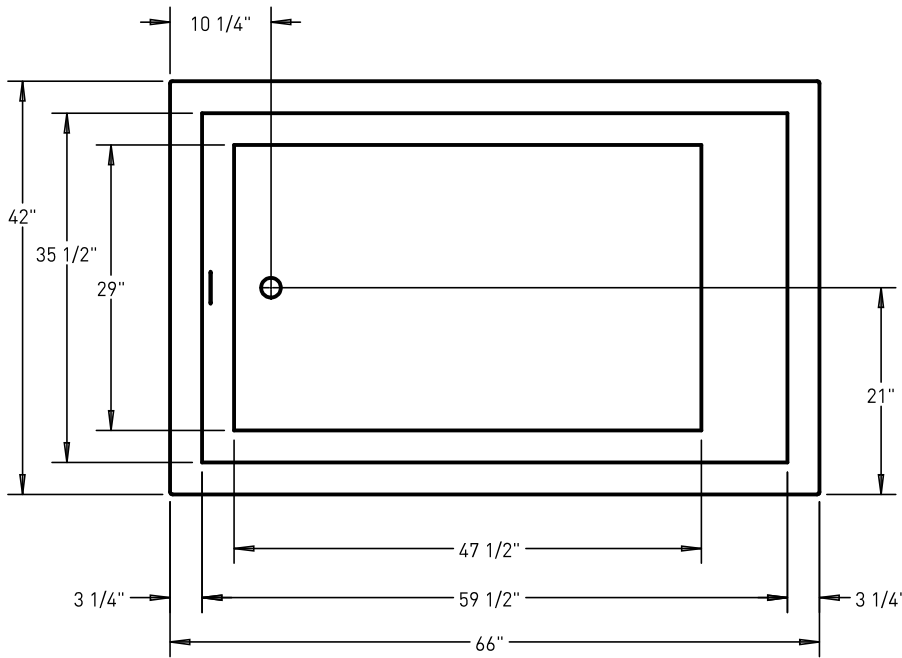
JETTACORP.COM



# J54L

# Affinity Collection PORTER

JETTA SOAK HYDROTHERAPY | 66" X 42" X 21" | END DRAIN



Note: optional pump/blower positions available. for right  
R/B side drain, L/B for left side drain



### ELECTRICAL SPECIFICATIONS\*\*

Required Electrical Service  
110/115 Volts | 15 amp GFI

### CODES/STANDARDS APPLICABLE

Specific model meets or exceeds the requirements for the following standards: ANSI, ASME.

### DROP-IN CUT OUT DIMENSIONS

Subtract 1" from length and width dimensions Actual cut out dimension 65" x 41"

SHIPPING WEIGHT 155 lbs

\*\*Required only if optional mood or LED light is specified



### INSTALLATION: MEASURE TUB BEFORE BUILDING TUB DECK.

For best results, Jetta Corporation recommends 1"-3" of mortar bedding under the tub base for maximum support. Contact Jetta for details. Dimensional variance on drawings may be +/- 1/2 inch and are subject to change without notice.

JETTACORP.COM



© 2020 Jetta Corporation. All rights reserved. Specifications are subject to change without notice. REV 09/2020

# TECHNICAL SPECIFICATIONS