

Affinity Collection

# J48L

72" X 42" X 21"

END DRAIN



JETTASOAK  
HYDROTHERAPY



# JETTA


# ROWAN

72" X 42" X 21" - OVAL (1 PERSON)

## FEATURES

- Suitable for drop-in or undermount applications
- High gloss/high impact acrylic
- Totally insulated with polyurethane foam
- Pre-leveled lip
- Slip resistant bottom
- Linear drain
- 10 year limited factory warranty

## OPTIONS AVAILABLE

- Mood or LED light
- Spa pillows
- 6" acrylic grab bars
- JettaWARM Heated Backrest 

## COLORS AVAILABLE

**Standard Color:** White

**Decorator Colors\*:** Bone, Biscuit, Black, Ice Grey

\*Require additional lead time

## RECOMMENDED OPERATING GALLONS

**Minimum:** 56

**Maximum:** 110



**JETTAWARM** begins.

JettaWarm is a surface heating system secured beneath the acrylic in a blanket of insulation to provides gentle warmth on the back rest of your tub before your bath begins.

Activates in minutes, bathers can relax from the moment they enter the tub. Soaker tubs have full backrest coverage, while a whirlpool or combo has a system designed to wrap around the hydrotherapy features and warm the acrylic where you need it.



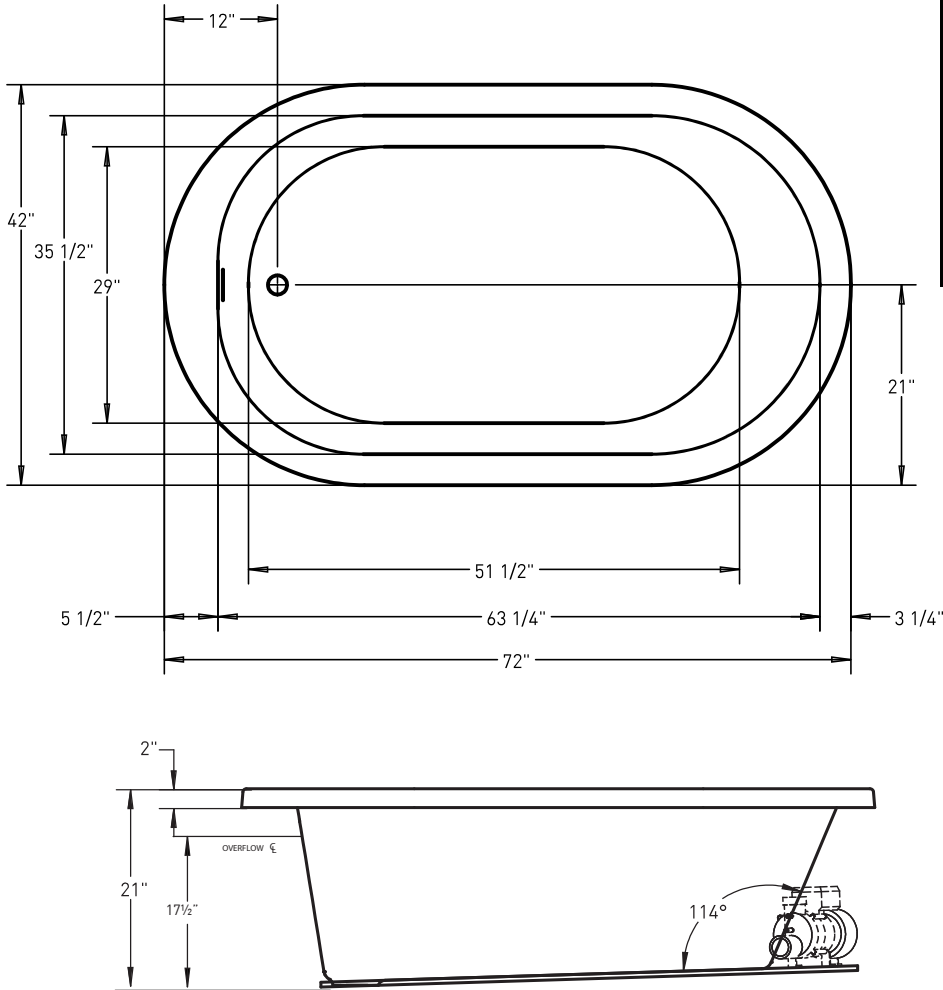
JETTACORP.COM



# J48L

Affinity Collection **ROWAN**

**JETTA SOAK HYDROTHERAPY | 72" X 42" X 21" | END DRAIN**



### ELECTRICAL SPECIFICATIONS\*\*

Required Electrical Service  
110/115 Volts | 15 amp GFI

### CODES/STANDARDS APPLICABLE

Specific model meets or exceeds the requirements for the following standards: ANSI, ASME.

### DROP-IN CUT OUT DIMENSIONS

Template provided with tub or upon request.

**SHIPPING WEIGHT** 160 lbs

\*\*Required only if optional mood or LED light is specified



### INSTALLATION: MEASURE TUB BEFORE BUILDING TUB DECK.

For best results, Jetta Corporation recommends 1"-3" of mortar bedding under the tub base for maximum support. Contact Jetta for details.

Dimensional variance on drawings may be +/- 1/2 inch and are subject to change without notice.

JETTACORP.COM



© 2020 Jetta Corporation. All rights reserved. Specifications are subject to change without notice.  
REV 08/2020

# TECHNICAL SPECIFICATIONS