



# RISER (E13S)

**60" x 31" x 20" END DRAIN**

*Fitting into the space of a standard bath, this sleek integral skirt model is the perfect choice.*

## FEATURES

- High-gloss/high-impact, UV-resistant acrylic will not dull or fade
- Installation: Drop-in
- Minimalist tub profile with a self leveling rim
- 1 person bathing well
- Lumbar support and sculpted armrests

## AVAILABLE MODELS

- Soaker
- Whirlpool

## OPTIONS

- Waste and overflows
- Spa pillows

## COLORS

White, Biscuit

## OPERATING GALLONS

30 (Approximate)



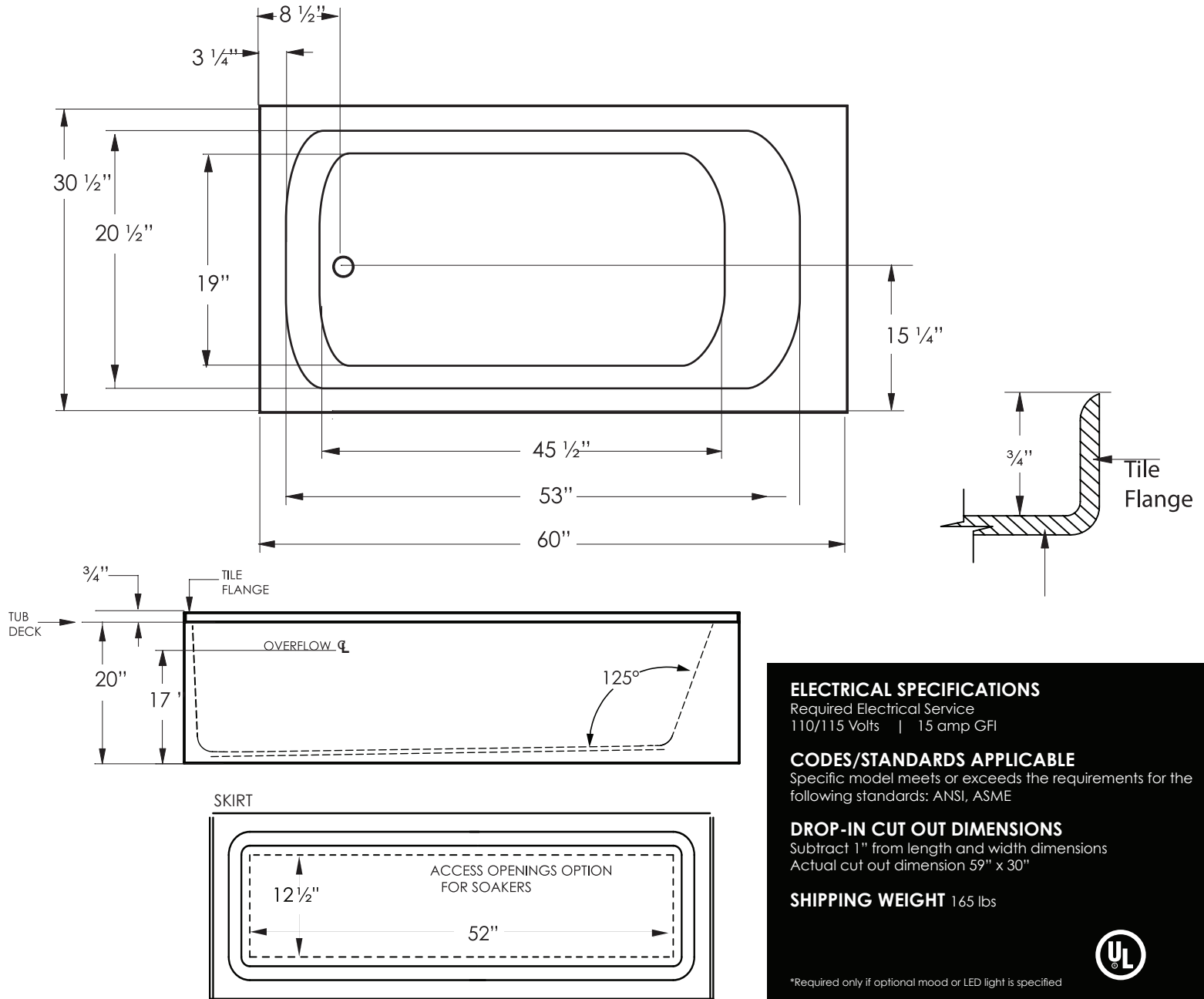
SKIRT

FOR INFORMATION  
OR TO PLACE AN ORDER  
CALL 1.800.288.7771

  
JETTACORP.COM

  
JETTA SOAK

## JETTA SOAK HYDROTHERAPY | 60" x 31" x 20" | END DRAIN



### ELECTRICAL SPECIFICATIONS

Required Electrical Service  
110/115 Volts | 15 amp GFI

### CODES/STANDARDS APPLICABLE

Specific model meets or exceeds the requirements for the following standards: ANSI, ASME

### DROP-IN CUT OUT DIMENSIONS

Subtract 1" from length and width dimensions  
Actual cut out dimension 59" x 30"

**SHIPPING WEIGHT** 165 lbs



\*Required only if optional mood or LED light is specified

### INSTALLATION: MEASURE TUB BEFORE BUILDING TUB DECK.

For best results, Jetta Corporation recommends 1"-3" of mortar bedding under the tub base for maximum support. Contact Jetta for details. Dimensional variance on drawings may be +/- 1/2 inch and are subject to change without notice.

JETTACORP.COM



© 2021 Jetta Corporation. All rights reserved. Specifications are subject to change without notice. REV 08/2021