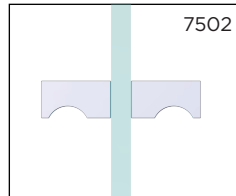


LONDON COLLECTION
DOUBLE GLASS
DOOR KNOB
2487502

7502



Mounting
Options



PRODUCT NAME: DOUBLE GLASS
DOOR KNOB

PRODUCT CODE: 2487502

MATERIAL: All-brass construction

KEY FEATURES: Contemporary design.
Sleek rectangular shapes offset
by strong squared anchors.

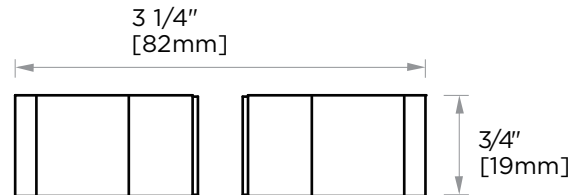
STOCKED FINISHES:

- Polished Chrome (99)
- Brushed Nickel (81)
- Polished Nickel (68)

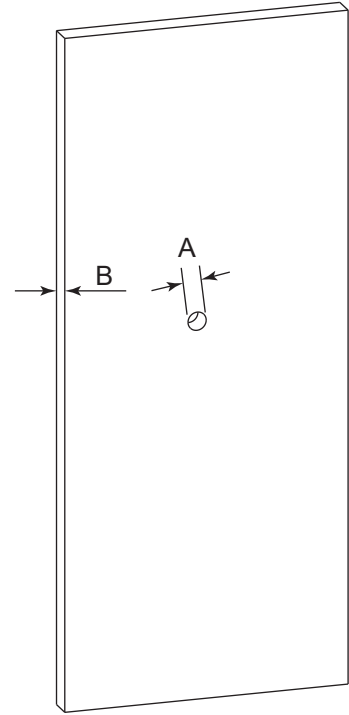
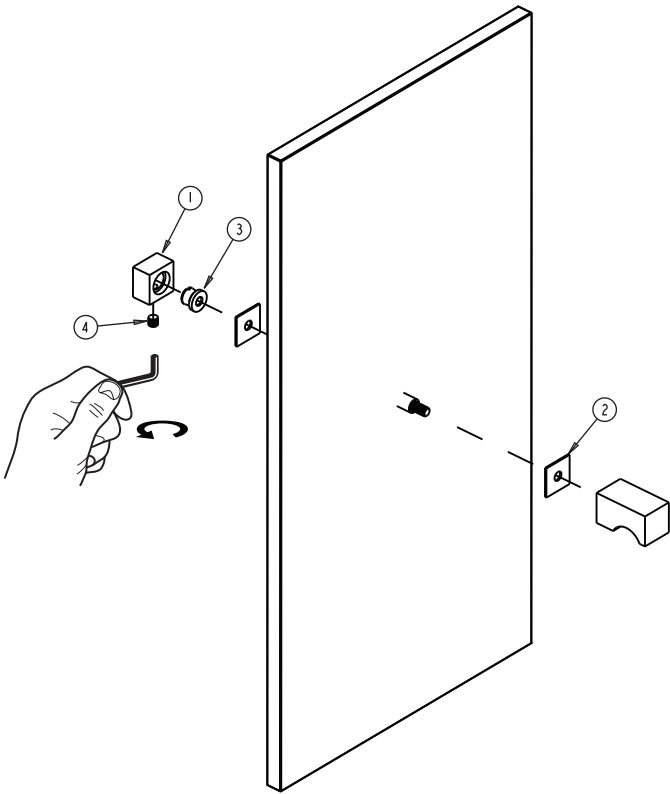
SPECIAL FINISHES AVAILABLE: 26 options available.
Please see our website for
full list samples

WARRANTY:

Lifetime Limited (Residential Use)
One Year (Commercial Use)



NOTE: Dimensions and specifications are subject to change without notice.



HANDLES INFO

Components Included		
①	End Cap	X1
②	Rubber Gasket	X2
③	Fixing Bracket	X1
④	Set Screw M5	X1

Mounting Kits Included		
	X1	Allen Key

GLASS INFO

A	3/8"/10mm	Glass Hole Diameter
B	6-12mm	Glass Thickness

* Can be used with extension kit for thicker doors