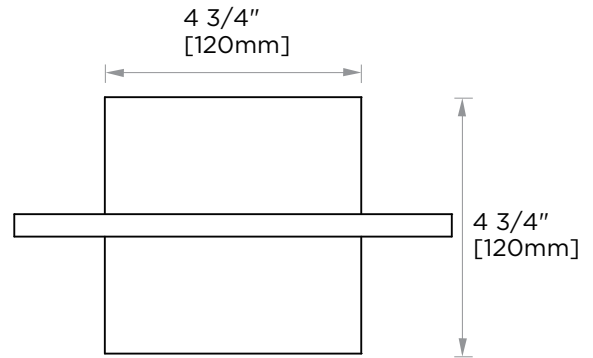


LONDON COLLECTION
HAND TOWEL HOLDER
KFS-HTH-SQ



PRODUCT NAME: HAND TOWEL HOLDER

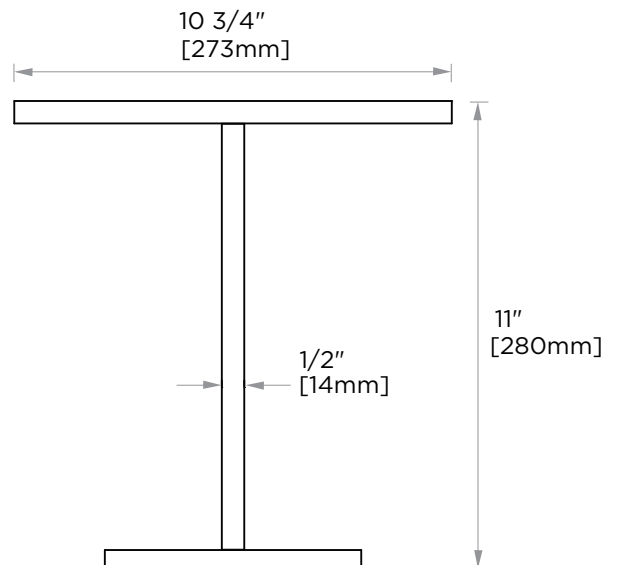
PRODUCT CODE: KFS-HTH-SQ

MATERIAL: All-brass construction

KEY FEATURES: Contemporary design.
Sleek rectangular shapes offset
by strong squared anchors.

STOCKED FINISHES: ● Polished Chrome (99)

SPECIAL FINISHES AVAILABLE: 26 options available.
Please see our website for
full list samples



WARRANTY:

Lifetime Limited (Residential Use)
One Year (Commercial Use)

NOTE: Dimensions and specifications are subject to change without notice.