

Features

- ADA compliant lever handles with red and blue indexing.
- Adjustable flanges.
- Low-lead Safe Drinking Water Act (SDWA) compliant.
- External NPT connections.
- 3 11/16" (94 mm) gooseneck spout with rosespray
- 7-5/16" (186 mm) wall-to-spout outlet.

Material

- Brass construction.



Codes/Standards

ASME A112.18.1/CSA B125.1

NSF/ANSI 61

NSF/ANSI 372

All applicable US Federal and State material regulations

KOHLER® One-Year Limited Warranty

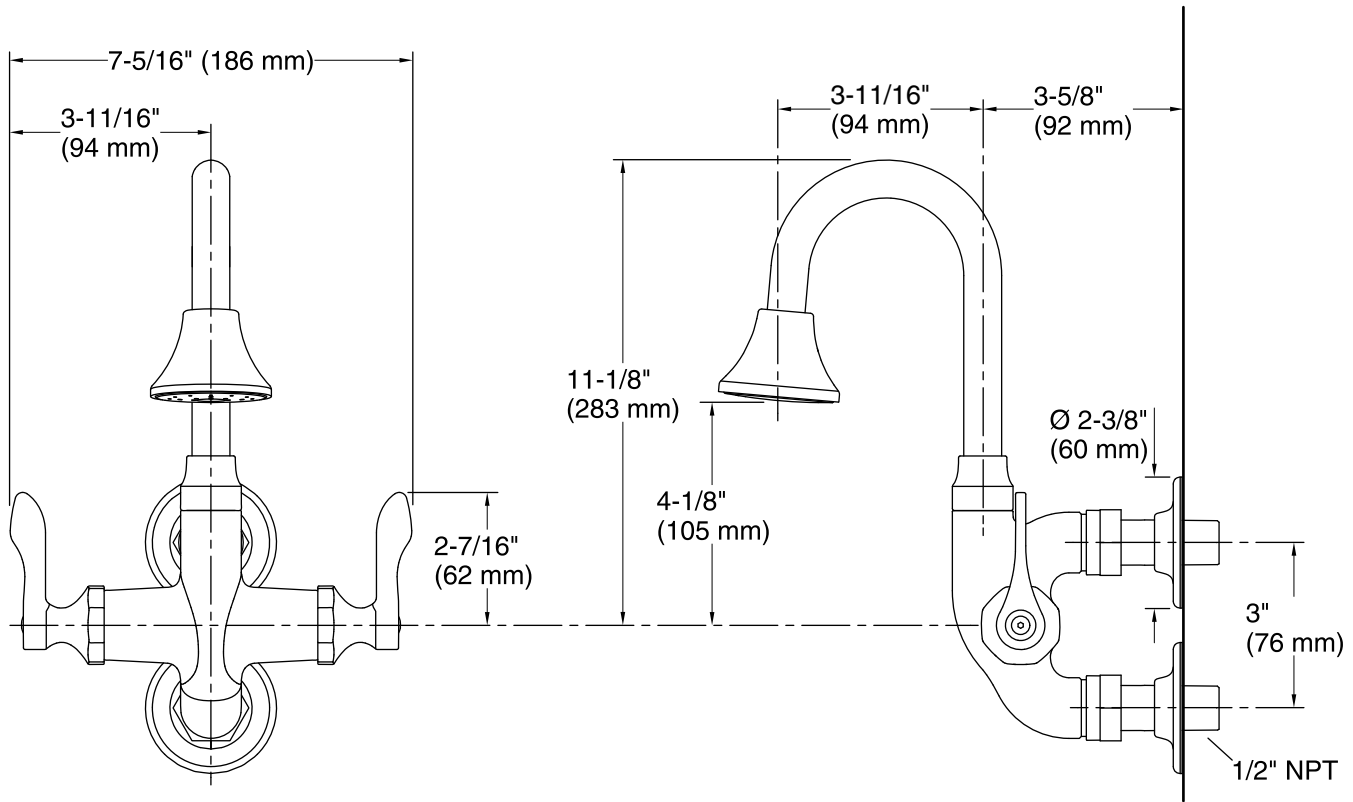
See website for detailed warranty information.

Available Color/Finishes

Color tiles intended for reference only.

Color	Code	Description
-------	------	-------------

- | | | |
|--|----|-----------------|
|  | CP | Polished Chrome |
| | SR | |



Technical Information

All product dimensions are nominal.

Faucet:

Flow rate: 12 gal/min (45.4 l/min)

Pressure: 60 psi (4.1 bar)

Spout:

Spout reach: 3-11/16" (93 mm)

Handle clearance: 2-3/8" (60 mm)

Notes

Install this product according to the installation instructions.