



Brazn™ Rectangle

Vessel bathroom sink
K-21060

Features

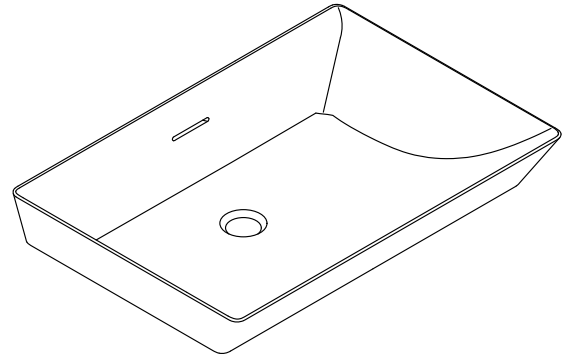
- No faucet holes; requires wall- or counter-mount faucet.
- With overflow.
- Rectangular basin.

Material

- Vitreous china.

Installation

- Vessel.



ADA

CSA B651

OBC

Codes/Standards

ASME A112.19.2/CSA B45.1

ADA

ICC/ANSI A117.1

CSA B651

OBC

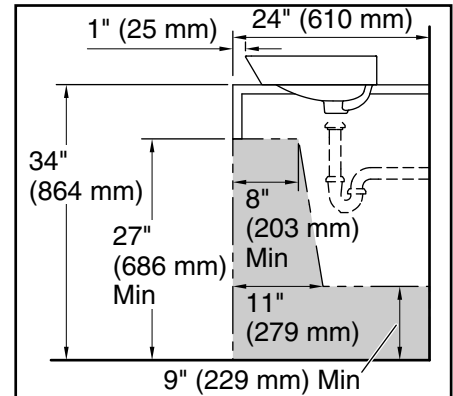
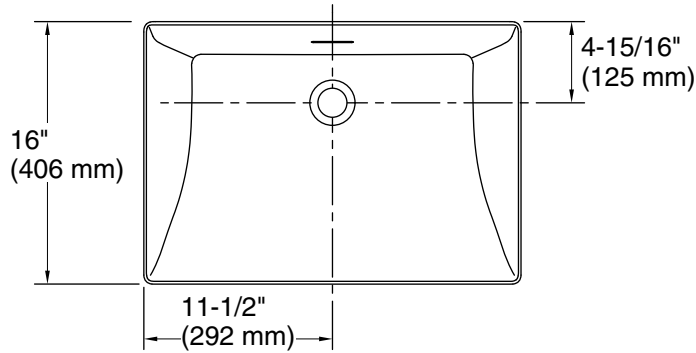
KOHLER® One-Year Limited Warranty

See website for detailed warranty information.

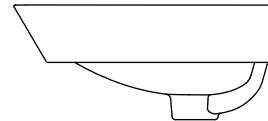
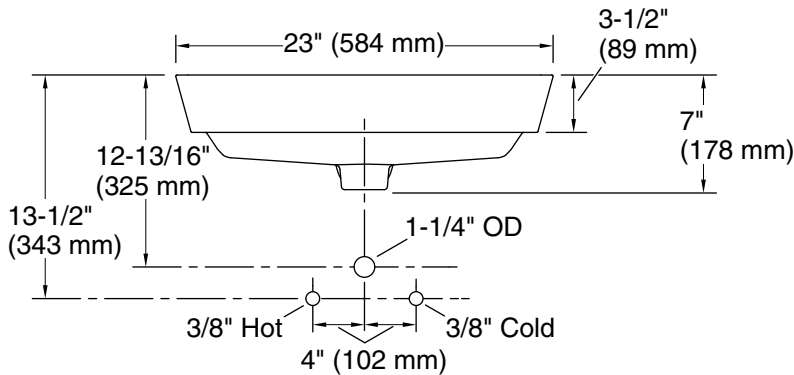


Brazn™ Rectangle

Vessel bathroom sink
K-21060



Recommended ADA Installation



Technical Information

All product dimensions are nominal.

Installation: Vessel

Drain hole: 1-3/4" (45 mm)

Notes

Install this product according to the installation instructions.

ADA, OBC, CSA B651 compliant when installed to the specific requirements of these regulations.