



Highline® Classic Comfort Height®

Pressure-Lite® Toilet

K-3493-T

Features

- Vitreous china.
- Elongated bowl.
- Equipped with Sloan FLUSHMATE®– Sloan® Valve Company.
- Polished chrome trip lever.
- Less seat and supply.
- Tank cover locks.
- 12" (305 mm) rough-in.
- 1.6 gpf (6.0 lpf).
- 2-1/4" (57 mm) glazed trapway.
- 12" (305 mm) x 10" (254 mm) water area.
- 30-1/8" (765 mm) x 21-1/4" (540 mm) x 31-1/4" (794 mm).



Recommended Products/Accessories

- K-4636 Cachet® Quiet-Close™ Elongated Toilet Seat
- K-5588 Purefresh® Elongated Toilet Seat
- K-4108 C³®-230 elongated cleansing toilet seat
- K-5420 Low-Profile Bolt Caps

Included Components

Product consists of:

- K-4304 Toilet Bowl
- K-4645-T Toilet Tank

Additional Components:

- Bolt cap accessory pack
- Equipped with Sloan FLUSHMATE® – Sloan® Valve Company
- Tank accessory pack
- Tank cover
- Trip lever

ADA

CSA B651

OBC

Codes/Standards





- ASME A112.19.2/CSA B45.1
- DOE - Energy Policy Act 1992
- ADA
- ICC/ANSI A117.1
- CSA B651
- OBC

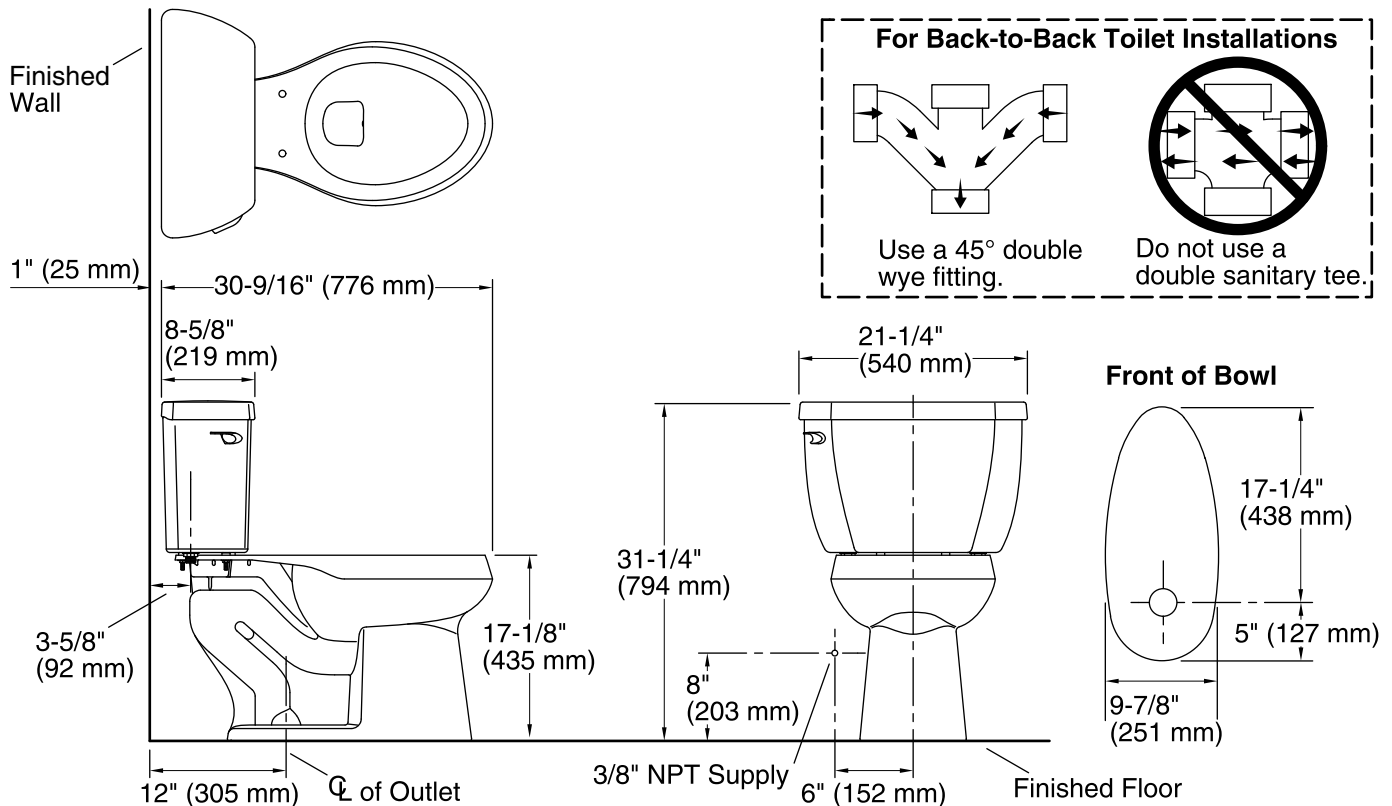
KOHLER® One-Year Limited Warranty

See website for detailed warranty information.

Available Colors/Finishes

Color tiles intended for reference only.

Color	Code	Description
	0	White
	96	Biscuit
	47	Almond
	7	Black Black™



Technical Information

All product dimensions are nominal.

Toilet type:	Two-piece, Floor-mount
Waste Outlet:	Floor
Bowl shape:	Elongated
Flush type:	Pressure Assisted
Trap passageway:	2-1/4" (57 mm)
Water Consumption	
Full:	1.6 gpf (6 lpf)
Water surface size:	12" x 10" (305 mm x 254 mm)
Rim to water surface:	5-3/4" (146 mm)
Rough-in:	12" (305 mm)
Seat-mounting holes:	5-1/2" (140 mm)

Fixture Supply Requirements

Min static pressure:	20 psi (137.9 kPa)
Max static pressure:	80 psi (551.6 kPa)

Notes

Install this product according to the installation instructions.

For back-to-back toilet installations: Use only a 45° double wye fitting.

ADA, OBC, CSA B651 compliant when installed to the specific requirements of these regulations.

Plumbing codes may require elongated toilets and elongated, open-front seats in public bathrooms.

Accessibility standards may require controls to be located on the open side of the toilet.