

Features

- Frameless design emphasizes glass and creates a sleek, minimalist look.
- Innovative roller design with stainless steel bearings simplifies installation and provides out-of-plumb adjustability while glass is installed.
- Interior and exterior towel bars provide integrated storage on the doors.
- Cushioned center guide provides smooth, quiet sliding action.
- CleanCoat®+ glass coating creates a hydrophobic barrier that repels water, soap scum, and residue, saving time and protecting shower doors 10 times longer than original CleanCoat. (Based on 2021 internal wear/abrasion testing using a microfiber cloth.)
- Smooth, easy-to-clean wall jambs.

Material

- Frameless, 3/8" (10 mm) thick Crystal Clear tempered glass.
- Tempered glass ensures maximum safety and durability.
- Anodized aluminum prevents rust and corrosion.

Installation

- Fits opening widths 56-5/8" – 59-5/8" (1438 –1514 mm).
- 81-5/8" (2073 mm) high, with a lofty 75-5/8" (1921 mm) minimum head clearance.
- 3" (76.2 mm) width adjustment.
- Out-of-plumb adjustability simplifies installation.
- For residential use only.
- Not for use in hospitality.

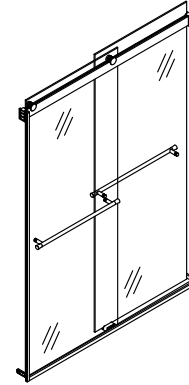
Recommended Products/Accessories

K-23723 Faucet cleaner

Included Components

Additional Components:

Hardware kit



Codes/Standards

ANSI Z97.1

CPSC 16CFR 1201

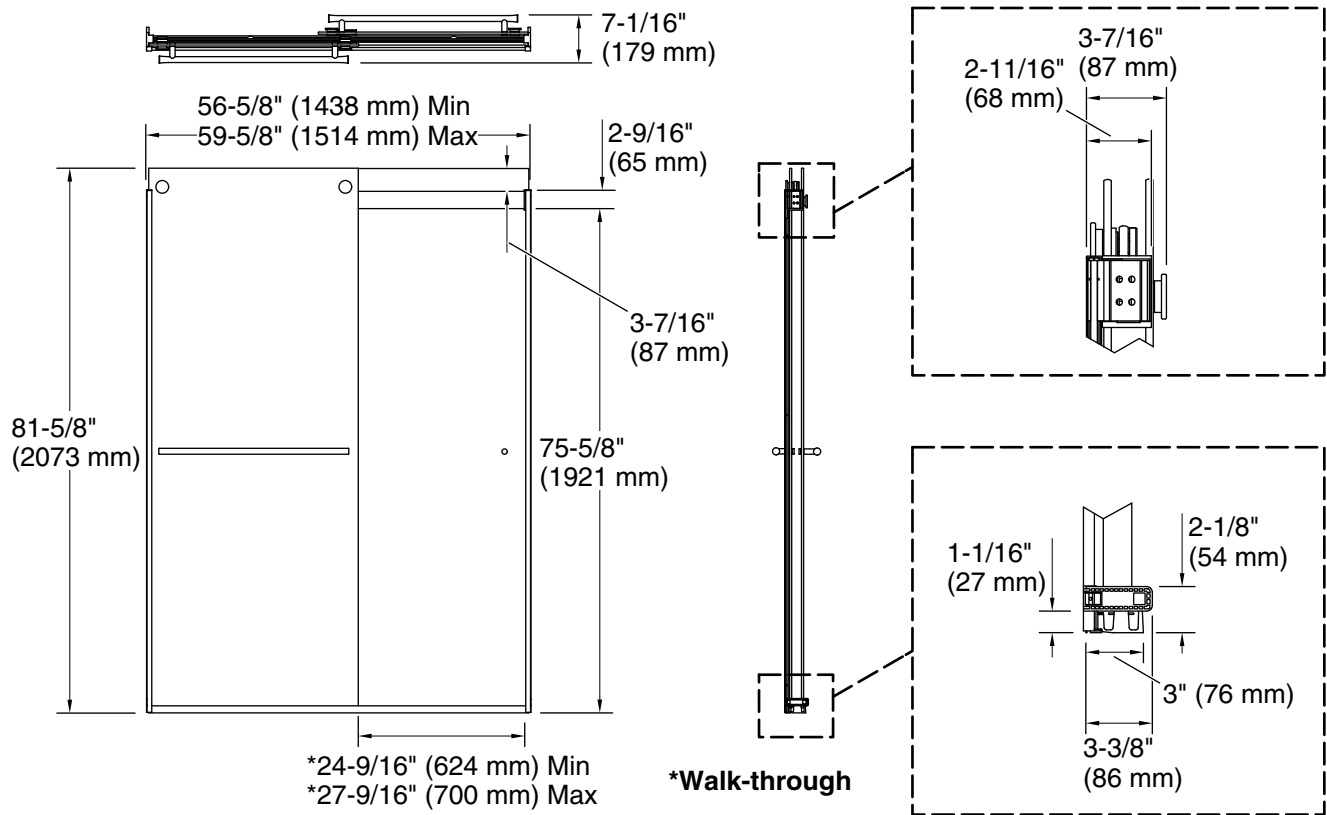
KOHLER® One-Year Limited Warranty

See website for detailed warranty information.

Available Glass Options

Code	Description
------	-------------

L	Crystal Clear
---	---------------



Technical Information

All product dimensions are nominal.

Installation type: For shower base installation

Opening Width - Min: 56-5/8" (1438 mm)

Opening Width - Max: 59-5/8" (1514 mm)

Walk-through - Min: 24-9/16" (624 mm)

Walk-through - Max: 27-9/16" (700 mm)

Base-To-Wall Radius - Max: 1/2" (13 mm)

Glass thickness: 3/8" (10 mm)

Glass coating: CleanCoat+

Notes

Install this product according to the installation instructions.

The vertical opening should be a minimum of 81-5/8" (2073 mm) to allow for installation clearance.