

### Features

- Includes faceplate with ADA-compliant metal lever handle and push-button diverter.
- Single handle controls both on/off activation and temperature setting.
- Integrated push button diverter.
- Includes non-diverter bath spout with 1/2" NPT connection.
- Beautiful sheet flow water delivery from spout.
- Includes shower arm with flange.
- For use with any KOHLER showerhead (sold separately).
- Trim set requires valve to complete installation.
- Complements the Loure faucet and accessory collections.

### Material

- Premium material construction with metal handle ensures reliability and durability.
- KOHLER finishes resist corrosion and tarnishing.

### Technology

- Pressure-balancing diaphragm technology maintains outlet temperature within +/-3 degrees Fahrenheit during water pressure fluctuations.

### Required Products/Accessories

K-11748 Series Rite-Temp® Valves



### Codes/Standards

ASME A112.18.1/CSA B125.1

### KOHLER® Faucet Lifetime Limited Warranty

See website for detailed warranty information.

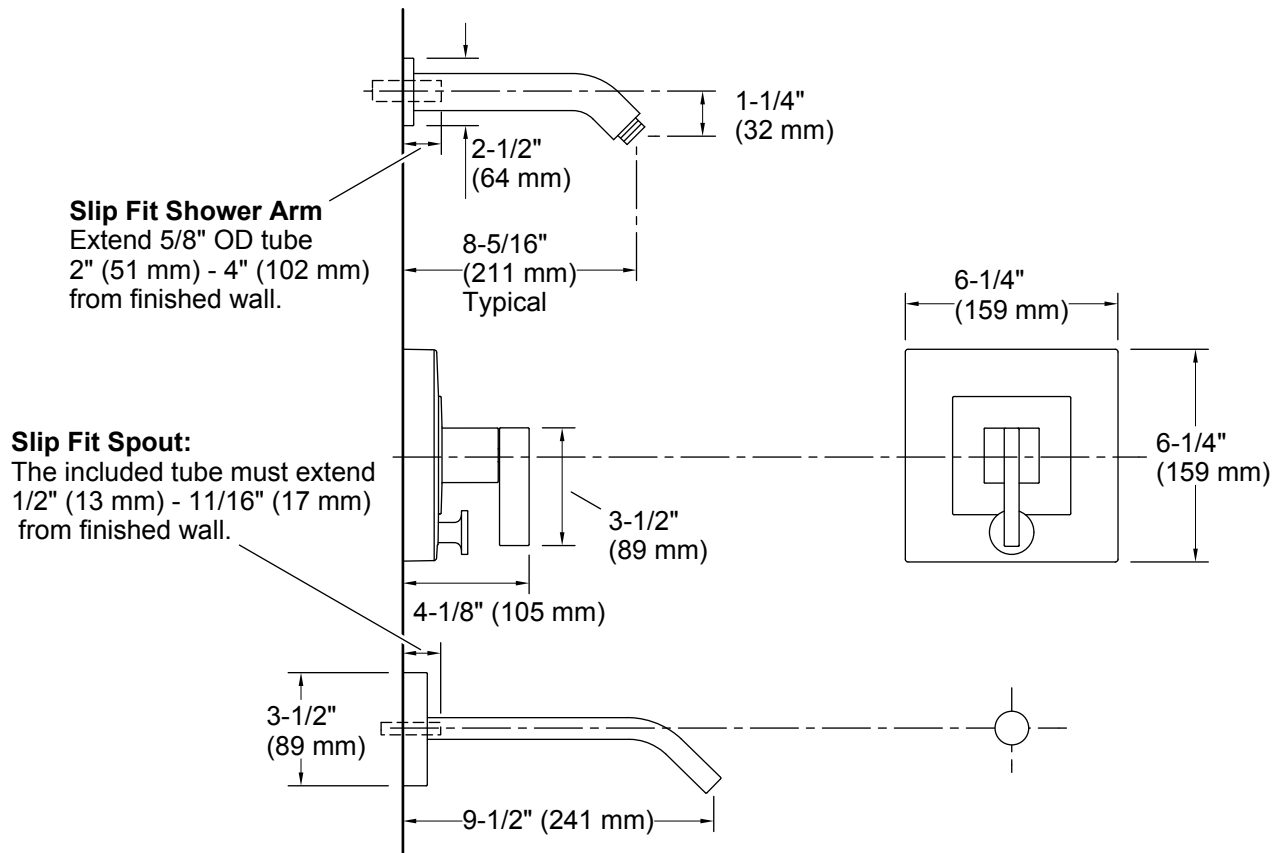
### Available Colors/Finishes

*Color tiles intended for reference only.*

Color	Code	Description
-------	------	-------------



CP	Polished Chrome
SN	Vibrant® Polished Nickel
BN	Vibrant® Brushed Nickel



**Technical Information**

All product dimensions are nominal.

Drain included: No

**Notes**

Install this product according to the installation instructions.

Avoid cross-flow conditions. Do not install shut-off device on either valve outlet.

Cap the shower outlet if deck-mount spout, diverter, or handshower is connected to the spout outlet.

Install straight pipe or tube drop of 7" (178 mm) to 18" (457 mm) with single elbow between the valve and the wall-mount spout. Elbow must be a 90 degree drop ell that is secured to rigid framing.