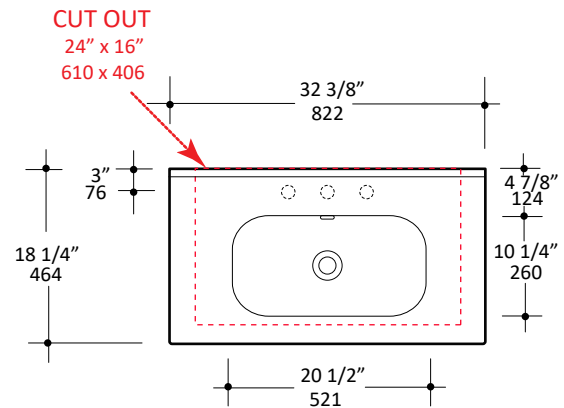


Specifications:

| | |
|-----------------------------|--|
| Installation: | Vanity-top |
| Exterior Dimensions: | 32 3/8" w x 18 1/4" d x 5 1/4" h |
| Material: | Solid surface |
| Weight: | Matte white - 22 lbs Gloss white - 28 lbs |
| Overflow: | Yes |
| Finishes: | 001 - White |
| Faucet Holes: | 00 - no holes 01 - one centered hole 02 - two holes - center and right, 4" spread 03 - three holes, 8" spread |
| Cutout Size: | 24" x 16" (template available upon request) |
| Faucet Hole Size: | Ø 1 3/8" |
| Drain Hole Size: | Ø 1 3/4" |



Features:

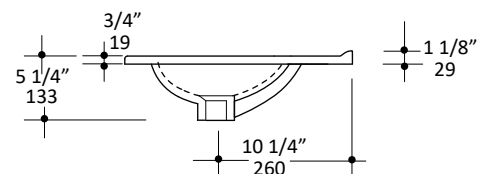
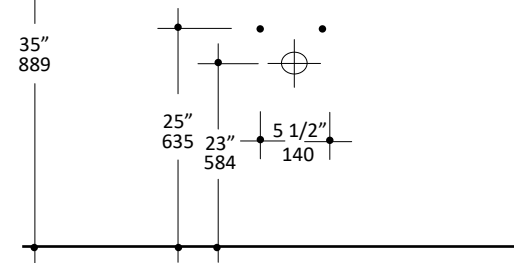
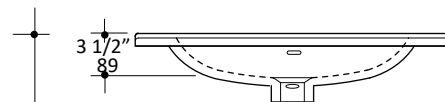
- Solid surface sink with overflow
- Most standard American drains can also be used

Codes + Standards:

- Meets and exceeds applicable national codes and standards

Recommended Items:

- Furniture
 - AQT-F-32 - Freestanding under-counter vanity with two doors and one drawer on the bottom
 - AQT-W-32 - Wall-mount under-counter vanity with two doors routed for finger pulls
- European drain with overflow
 - 7100-12
 - 7100-13OF
 - 7100-16OF



Drawings provided herein are meant to give the user an idea of the product and are not made to scale. LACAVA reserves the right to revise any dimension or information on this sheet without notice. Dimensions are nominal and may vary within an industry accepted tolerance of 1/4".
Revised: 06/03/2021