

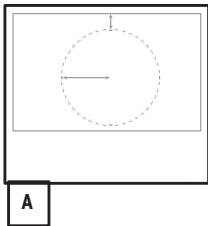
MODERN

INSTALLATION

White Large Oval Vessel Sink



INCLUDED PARTS



A Template

x1

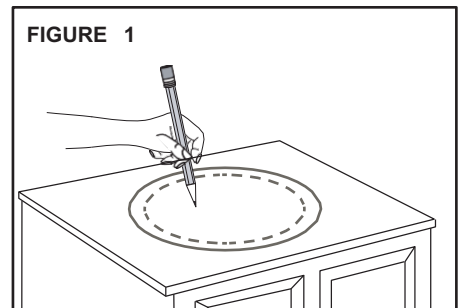
INSTALLATION TIPS

Luxart suggests using a locally licensed plumber for installation.

MODERN

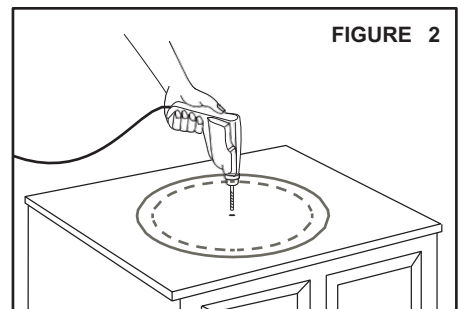
Installation

1. Water supply should be off and water should be completely drained from main location water valve or faucet. Locate the proper place on the vanity top that the vessel sink will be installed. Make sure that there is enough room under the vanity top for the faucet, water supply lines and drain assembly (not included). The space on the back of the vessel sink to the backsplash of the vanity should have enough distance to accommodate the desired faucet.
2. Please refer to template for sink cut-out. Trace the cut-out line from the template onto the vanity (this will be the cut-out line). Make sure that the cut-out line is positioned properly on the vanity (**FIGURE 1**).



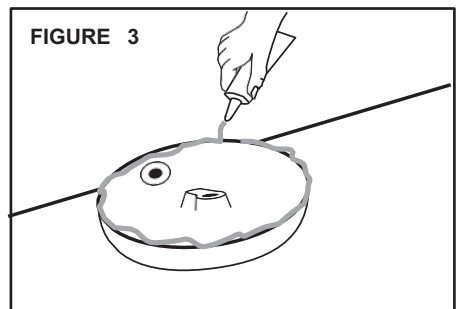
3. Confirm that the template mark on the vanity lines up with the sink. Then, make a clearance hole anywhere near the cut-out line on the inside and then cut out the portion within the cut-out line (**FIGURE 3**).

Note: If you have a marble or stone countertop that does not have a cut-out to fit the sink, it is recommended that this be done by a professional.



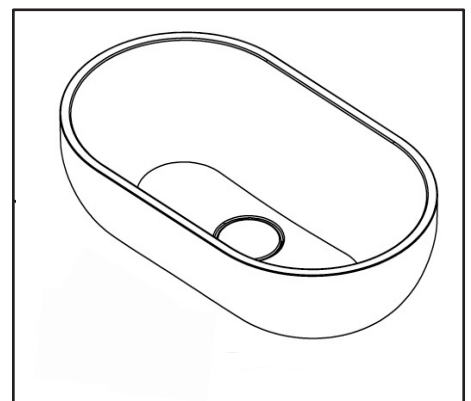
4. Place the vessel sink into place. Check to make sure that the vessel sink is positioned properly on the vanity.

5. Apply silicone or plumber's putty to the underside outer rim of the vessel sink. Then, secure vessel firmly down and tighten drain assembly under the vanity top. Trim any excess silicone or plumber's putty off (**FIGURE 3**).



Note: Depending on the faucet, you may choose to attach it first before you secure the vessel sink down.

6. Connect the water supply lines to the faucet and P-trap (both are not included) to the pop-up assembly as required.
7. Turn on the water supply and correct if leaks are found.



M O D E R N**LUXART MINERAL COMPOSITE VESSEL SINKS
RESIDENTIAL LIMITED WARRANTY
TERMS AND CONDITIONS**

Luxart provides a limited warranty for all MINERAL COMPOSITE® sinks for use to the original purchaser for personal or single family use. Luxart warrants these sinks to be free of defects in material and workmanship during use by the original purchaser for a period of 5 years.

Subject to the terms contained herein, Luxart will repair or replace a defective product or refund the purchase price. In no event shall the Seller's liability under this warranty exceed the cost of repair or replacement of the product or the purchase price of the product.

The warranty does not extend to:

1. Damage caused by cleaning, maintenance or installation performed other than strictly in accordance with the information contained in Care Instruction.
2. Damage due to installation error (see Clean & Care Instructions), product neglect, misuse, or abuse, accident or negligence, whether caused by the purchaser, a contractor or a service provider or any other cause beyond the control of Luxart.
3. Damage or failure caused by common carrier.
4. Modification of any type for any reason.
5. Damage caused by the use of strong chemicals.
6. Staining from food or beverages (such as red wine), medicinal products (such as mecurochrome), make-up, etc.
7. Finish reduction, scratching or staining of the finish over time due to water impurities or atmospheric conditions.
8. Extraordinary acts such as earthquakes, hurricanes, lightning, floods, hail, etc.

The company will replace or repair the defective product subject to the following conditions:

1. Claim is made in writing to head office within 10 days of the problem being apparent;
2. Product has been appropriately water tested for leaks and inspected prior to completing installation.
3. The product has been used in the manner that it was intended, this protection does not apply to any products that have been misused in any way;
4. The product must have been installed and cared for in line with our fitting instructions and local water bylaws.

(See Clean & Care instruction for proper cleaning, maintenance, and installation information.)



To file a claim contact:

LUXART CUSTOMER SERVICE
EMAIL: MLCUSTOMERSERVICE@HAJOCA.COM

Please be sure to provide all pertinent information regarding your claim, including a complete description of the problem, the model name and number and the date and place of purchase. Also include your original invoice. In order to assess any claim, we may have to inspect the product as installed before removal and must be provided with access to the product upon request.

Except as provided herein, seller makes no warranty of any kind, express or implied, with respect to the product, its merchantability, or fitness for a particular purpose. Seller shall not be responsible for any indirect, incidental, or consequential damages resulting from the delivery, installation, or use of the product.

Display floor models and overstock sale units are excluded from this warranty. See commercial warranty for commercial installation coverage.



MODERN

LUXART MINERAL COMPOSITE VESSEL SINKS COMMERCIAL LIMITED WARRANTY TERMS AND CONDITIONS

Luxart provides a limited warranty for all MINERAL COMPOSITE® vessel sinks for use to the original purchaser for commercial, rental or multifamily application. Warranty coverage begins from date of purchase (regardless of installation date).

Two-Year Sink Shell Warranty: Luxart warrants MINERAL COMPOSITE® vessel sinks not to peel, crack, blister, or discolor for a period of two years from date of purchase.

The company will replace or repair the defective product subject to the following conditions:

1. The product must have been installed and cared for in line with our fitting instructions and local water bylaws. (See Clean & Care instruction for proper cleaning, maintenance, and installation information.)
2. Claim is made in writing to our customer service within 10 days of the problem being apparent;
3. Product has been appropriately water tested for leaks and inspected prior to completing installation.
4. The product has been used in the manner that it was intended, this protection does not apply to any products that have been misused in any way.

The warranty does not extend to:

1. The cost of removing or reinstalling the unit, or costs associated with any adjacent materials.
2. Leaks associated with improper waste and overflow installation.
3. Blemishes, air holes or casting marks on the underside of the sink. These are not considered defects and do not affect the performance or quality of the sink. Slight variations in the surface are indigenous to the natural stone appearance of the product and are not considered defects or flaws. Variations in the surface do not compromise the structural integrity of the product.
4. A Unit that is not water tested for leaks and inspected prior to completing installation.
5. Drain leakage. Proper drain installation is the responsibility of the installer.
6. Careless handling;
7. Modification of any type for any reason
8. Incorrect or inadequate water use;
9. Damage due to installation error (see Clean & Care Instructions), product neglect, misuse, or abuse, accident or negligence, whether caused by the purchaser, a contractor or a service provider or any other cause beyond the control of Luxart.
10. Damage or failure caused by common carrier. The consignee must open and inspect the unit for damage when it is delivered. If the unit is damaged, this must be reported immediately to both the seller and the carrier in writing and an inspection must be requested. Any freight claims must be filed within ten business days.
11. Damage caused using improper cleaners or chemicals.



12. Staining from food or beverages (such as red wine), medicinal products (such as mercurochrome), make-up, etc.
13. Finish reduction, scratching or staining of the finish over time due to water impurities or atmospheric conditions.
14. Extraordinary acts such as earthquakes, hurricanes, lightning, floods, hail, etc.
15. Failure or damage that should have been discovered, repaired and avoided by proper inspection and testing prior to installation.
16. Incidental or consequential damage, loss of time, inconvenience, incidental expenses, labor or material charges or any other costs related to the application of this warranty.
17. Water damage to carpeting, floors or ceilings.
18. Optional equipment not manufactured by Luxart or installed by Luxart
19. Damages or defects that should be detected before installation are not covered.
20. Labor, transportation, or other costs incurred in the removal and/or reinstallation of the original unit or replacement unit. Costs related to obtaining access for repair.

Warranty Limitations: Chips, cracks, and scratches can be repaired by a qualified technician at the owner's/user's expense.

Extent of Warranty: This warranty extends only to the original consumer/purchaser of the Luxart MINERAL COMPOSITE® product when purchased and originally installed within the boundaries of the continental USA. The warranty terminates after transfer of ownership or if the tub is installed or relocated outside the boundaries of the continental USA by the original consumer/purchaser prior to the expiration of the warranty period. Display floor models and overstock sale units are excluded from this warranty.

Warranty Performance: In the event of any malfunction or defect covered under the terms of this warranty, a Factory Authorized Service Agent of Luxart will repair the MINERAL COMPOSITE® product. To obtain service, contact Luxart Customer Service for an agent in your area and issuance of a service order number. No work/payment will be made without an authorized service order number. There will be no charge for parts, labor or freight costs for parts necessary to repair the sink under warranty. Written notice of any malfunction or defect must be given within ten days of the time the malfunctions were discovered, and must be accompanied by proof of purchase.

Luxart reserves the right to inspect the malfunction or defect on site and repair or replace the unit at our discretion.

Disclaimers: The foregoing warranty is EXCLUSIVE and in lieu of all other warranties, including any other warranty of quality, express or implied, and including any warranty of merchantability, or any warranty of fitness for any particular purpose.

To verify coverage, request service or file a claim, please contact:

LUXART CUSTOMER SERVICE
EMAIL: MLCUSTOMERSERVICE@HAJOCA.COM

Please have serial or registration number available.

