

# Freestanding Tub

LUXART® *AltaBella*

## Product Specifications

LUXART®  
**SCOTTSDALE®**

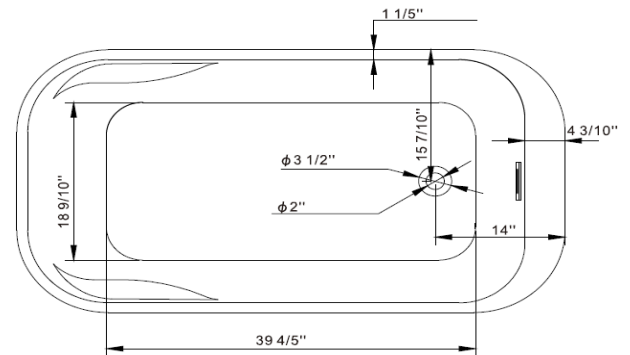
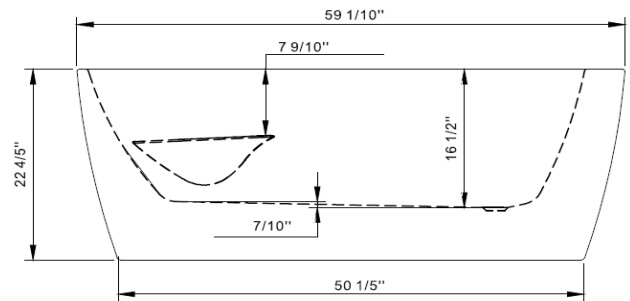
### SCOTTSDALE5932

Luxart® ALTABELLA tubs are made from vacuum-formed acrylic sheets and have a deep, durable color layer. These versatile tubs are strong and lightweight, serving as the centerpiece of your bathroom. Pour into an AltaBella bath and enjoy a generous, deep soak like no other.



## TECHINCAL SPECIFICATIONS

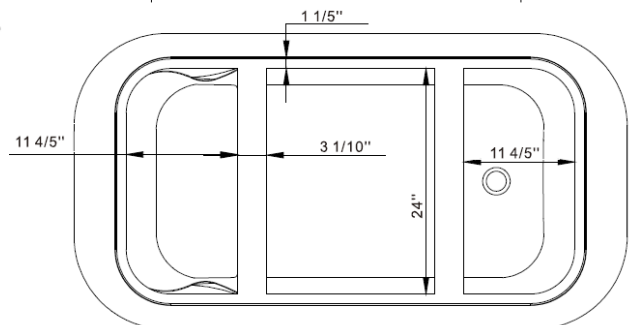
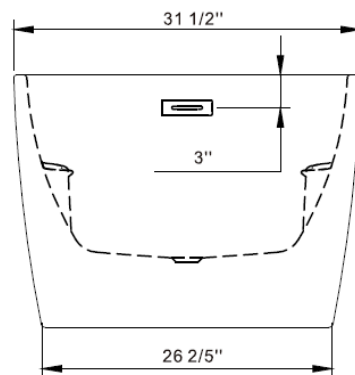
Height	22-4/5 in
Width	31-1/2 in
Depth	16-1/2 in
Length	59-1/10 in
Weight	94 pounds
Shipping Weight	119 pounds
Capacity (full)	76 Gallons
Capacity (to overflow)	64 Gallons
Drain	End
Overflow	Standard



## APPLICABLE STANDARDS/CODES

Specified model meets or exceeds the following:

- CSA B45.5-11/IAPMO Z124



## Warranty

See warranty information for more details.

All dimensions listed are nominal. LUXART® reserves the right to make product and material changes at any time without notice.



Contact your sales representative for more information or visit our website at [luxartcollection.com](http://luxartcollection.com)

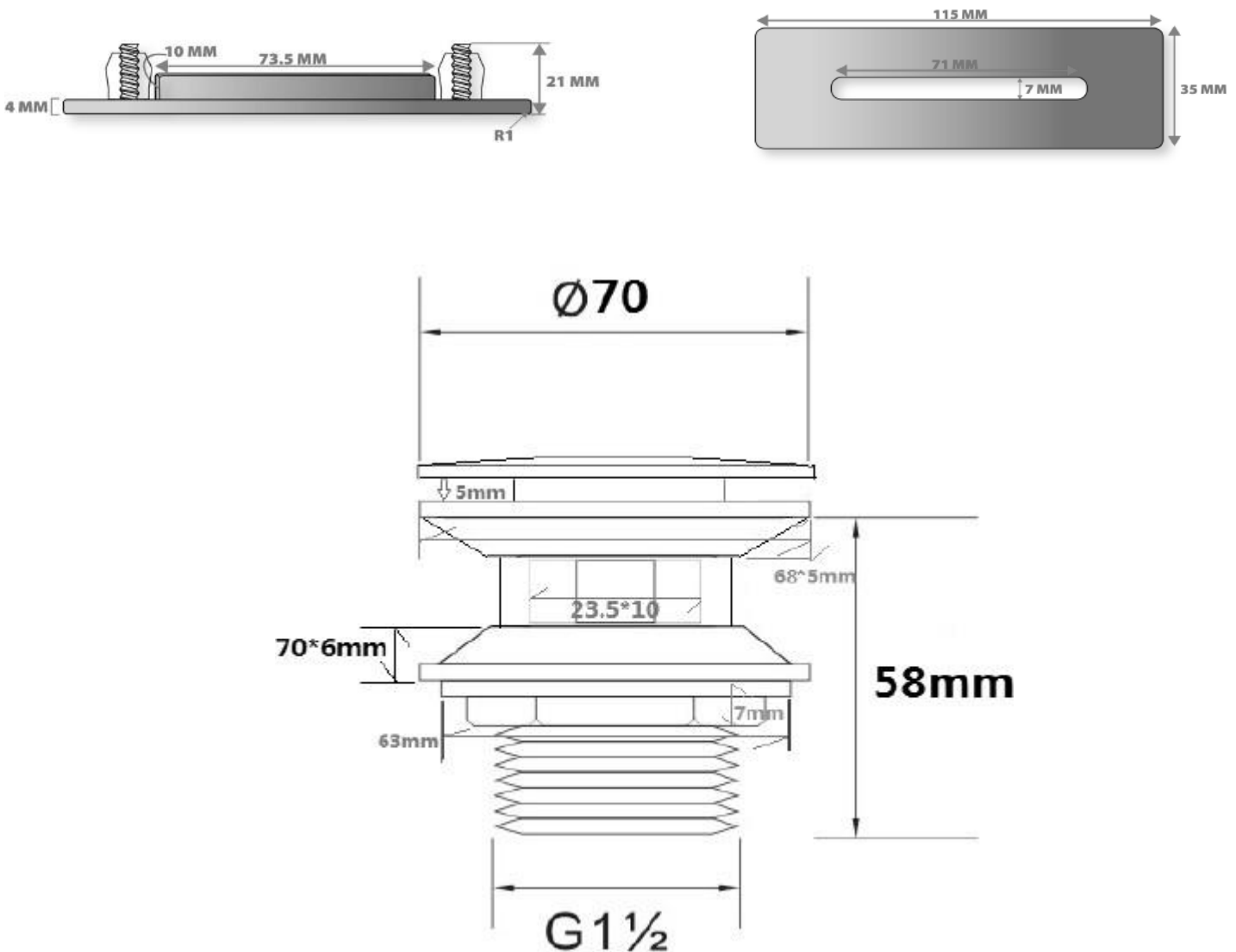
# Freestanding Tub

LUXART® *Alta Bella*

## Product Specifications

### TECHINCAL SPECIFICATIONS

Standard overflow drain cover. Metal pop-up drain cover. Drain cover is interchangeable with different finish colors, purchased separately. Made of brass and metal components.



Contact your sales representative for more information or visit our website at [luxartcollection.com](http://luxartcollection.com)