



MAINLINE®

Molded Wood Basic Elongated Toilet Seat

Product Specifications

Description

Closed front with cover, elongated, molded wood, multi-coat enamel finish toilet seat. Features two color-matched bumpers and color-matched Top-Tite® hinges with non-corrosive, top-tightening Hex-Tite® bolts and wing nuts.

Model: ML1400TTA

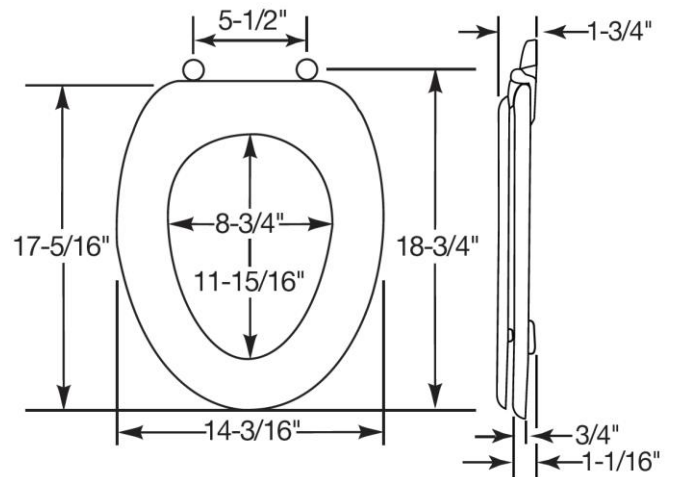
Specifications	
Size:	Elongated
Weight:	5.8 lbs
Color:	White (000)
Material:	Molded Wood
Style:	Closed Front with Cover
Bumpers:	Two
Hinges:	Plastic Top-Tite®
Fastening System:	Non-Corrosive Hex-Tite® Bolts and Wing Nuts



TOP-TITE® HINGES



NON-CORROSIVE
BOLTS AND WING NUTS



Warranty

See warranty information for more details.

All dimensions listed are nominal. MAINLINE® reserves the right to make product and material changes at any time without notice.

Contact your sales representative for more information or visit our website at mainlinecollection.com