



**MAINLINE®**

# Molded Wood Premium Elongated Toilet Seat

## Product Specifications

### Description

Closed front with cover, elongated, molded wood, multi-coat enamel finish toilet seat. Features two color-matched bumpers, color-matched, PRO Style Top-Tite® hinges with non-corrosive, top-tightening Hex-Tite® bolts and wing nuts.

### Model: ML1525PRO

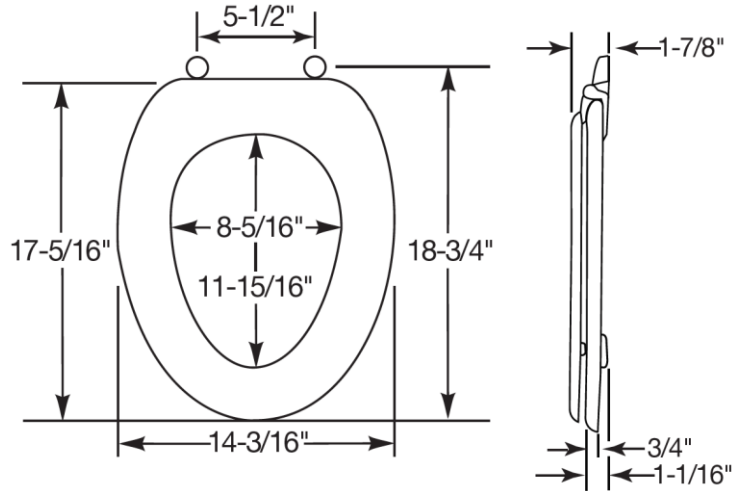
Specifications	
Size:	Elongated
Weight:	6.2 lbs
Color:	White (000), Biscuit (346)
Material:	Molded Wood
Style:	Closed Front with Cover
Bumpers:	Two
Hinges:	Plastic PRO Style Top-Tite®
Fastening System:	Non-Corrosive Hex-Tite® Bolts and Wing Nuts



PRO STYLE  
TOP-TITE® HINGES



NON-CORROSIVE  
BOLTS AND WING NUTS



### Warranty

See warranty information for more details.

All dimensions listed are nominal. MAINLINE® reserves the right to make product and material changes at any time without notice.



Contact your sales representative for more information or visit our website at [mainlinecollection.com](http://mainlinecollection.com)