



# Plastic Basic Elongated Toilet Seat

## Product Specifications

### Description

Closed front with cover, elongated, injection molded solid plastic toilet seat. Features four molded-in bumpers, color-matched Top-Tite® hinges with non-corrosive, top-Tightening Hex-Tite® bolts and wing nuts. This seat complies with American National Standard Z124.5 Toilet (Water Closet) Seats as a class Residential.

### Model: ML170

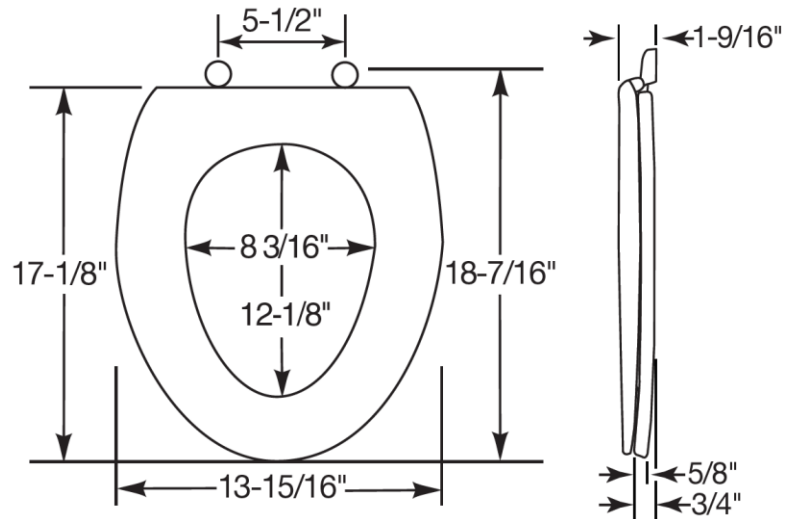
Specifications	
Size:	Elongated
Weight:	3.3 lbs
Color:	White (000), Biscuit (346)
Material:	Plastic
Style:	Closed Front with Cover
Bumpers:	Four
Hinges:	Plastic Top-Tite®
Fastening System:	Non-Corrosive Hex-Tite® Bolts and Wing Nuts



TOP-TITE® HINGES



NON-CORROSIVE BOLTS AND WING NUTS



### Warranty

See warranty information for more details.

All dimensions listed are nominal. MAINLINE® reserves the right to make product and material changes at any time without notice.



Complies with IAPMO/ANSI Z124.5 Performance Standards Residential



Contact your sales representative for more information or visit our website at [mainlinecollection.com](http://mainlinecollection.com)