



MAINLINE®

Plastic Commercial Elongated Toilet Seat

Product Specifications

Description

Open front with cover, elongated, heavy-duty, injection molded solid plastic toilet seat. Features four, molded-in bumpers, check hinges with non-corrosive 300 Series stainless steel posts, pintles and hardware. This seat complies with American National Standard Z124.5 Toilet, (Water Closet), Seats as a class Commercial Heavy Duty.

Model: ML7650DG

Specifications	
Size:	Elongated
Weight:	4.5 lbs
Color:	White (000)
Material:	Plastic
Style:	Open Front with Cover
Bumpers:	Four
Hinges:	Plastic with 300 Series Stainless Steel Posts and Pintles
Fastening System:	300 Series Stainless Steel Hardware



PLASTIC HINGES WITH STAINLESS STEEL POSTS AND PINTLES



300 SERIES STAINLESS STEEL HARDWARE



Built-In Antimicrobial Property

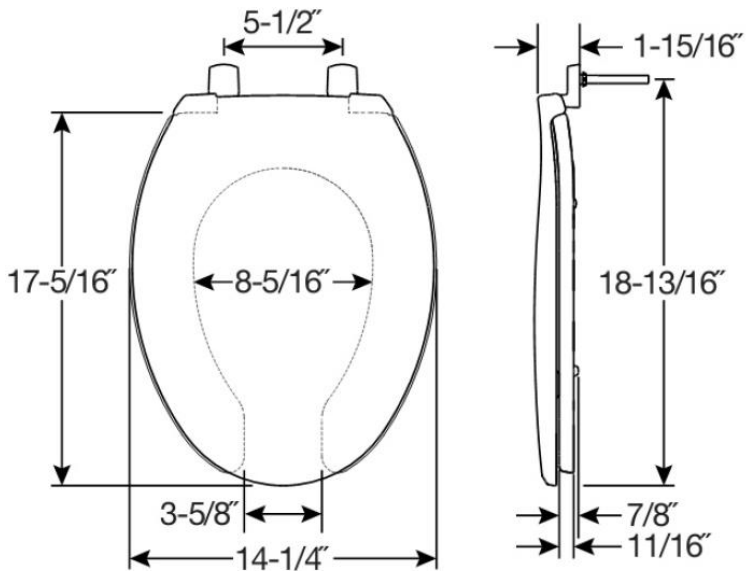
**Built-In Antimicrobial Property does not protect users against bacteria, viruses, or other disease organisms. Always clean and wash this product thoroughly before and after each use*

SDS – Contact Customer Service for SDS Sheet

Warranty

See warranty information for more details.

All dimensions listed are nominal. MAINLINE® reserves the right to make product and material changes at any time without notice.



Complies with IAPMO/ANSI Z124.5 Performance Standards Heavy-Duty Commercial



Contact your sales representative for more information or visit our website at mainlinecollection.com