

BRASS CLOSET FLANGE RING

Product Specifications

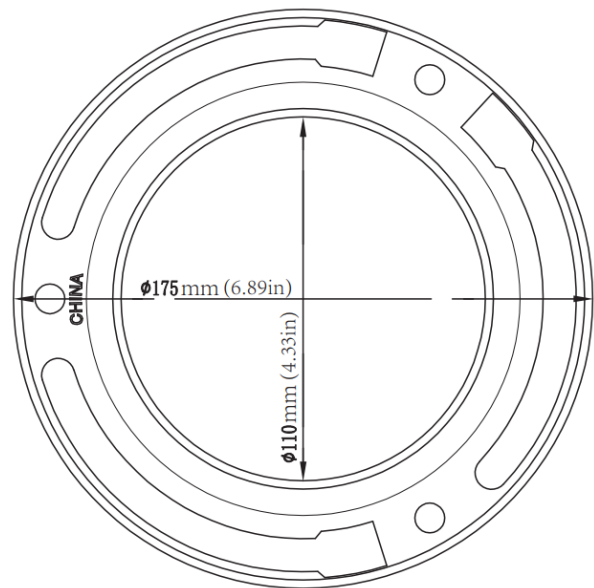
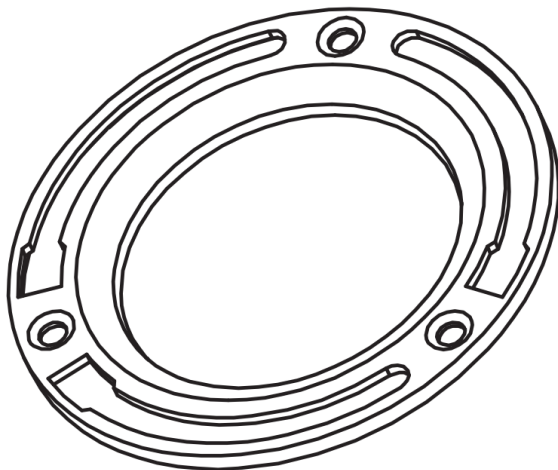
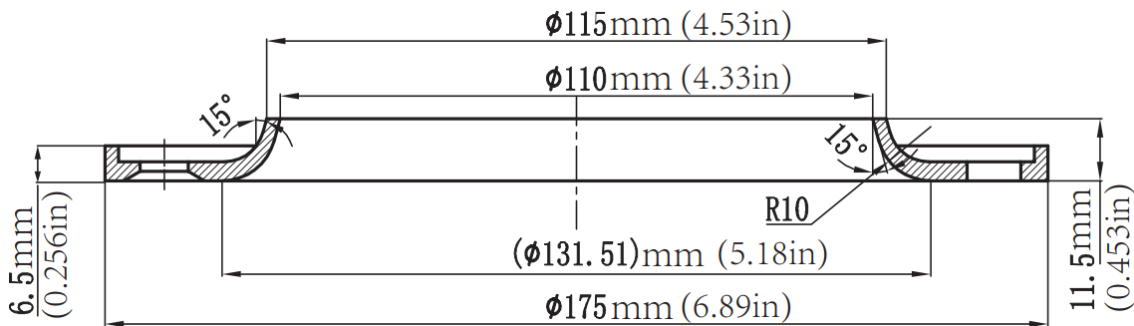


FEATURES

- 4" closet flange
- Used for replacing rusted or corroded toilet flange rings
- Cast brass construction
- Includes 3 radial bolt holes and 3 closet bolt slots for secure attachment to the floor
- Easily install by inserting ring into the vertical cast iron drainpipe after the old flange is removed



MLCI100



Warranty

See warranty information for more details.

All dimensions listed are nominal. MAINLINE® reserves the right to make product and material changes at any time without notice.



Contact your sales representative for more information or visit our website at mainlinecollection.com