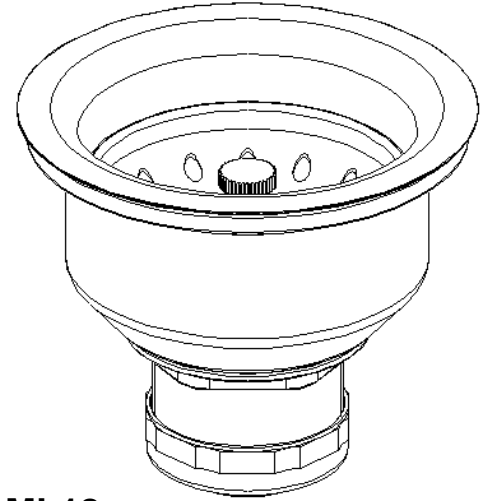
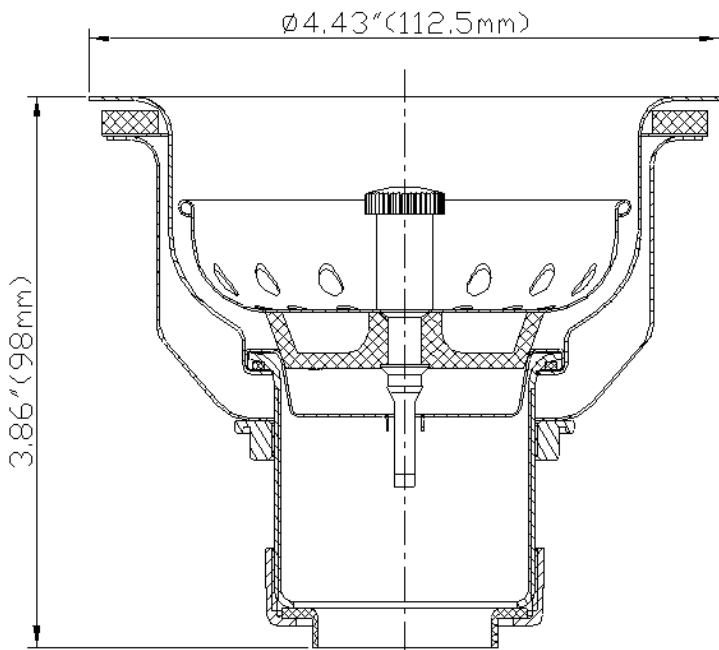


SPECIFICATIONS

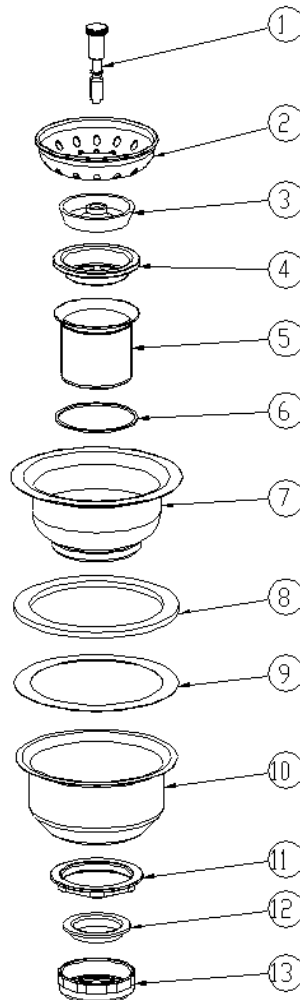
- Deep Locking Cup For Easy Installation
- Stainless Steel Body
- Stainless Steel Basket
- Zinc Post With Ball Bearing Type Snap In Feature
- Zinc Die Cast Locknut
- Zinc Die Cast Tailpiece Nut



ML18



CROSS REFERENCE	
18	SS-112
S14-004	1432SS
645-663	ZSS3000B-SS



No.	Part Name	Material
1	Stick Post	Zinc
2	Basket	Stainless Steel
3	Stopper	Rubber
4	Gasket	Stainless Steel
5	Thread Tube	Stainless Steel
6	Washer	Rubber
7	Body	Stainless Steel
8	Washer	Rubber
9	Friction Washer	Paper
10	Shell	Stainless Steel
11	Locknut	Zinc
12	Washer	PE
13	Tailpiece Nut	Zinc

CERTIFICATIONS

- cUPC

