

Above Counter Ceramic Basin with Overflow

Specification & Installation Guide

FEATURES

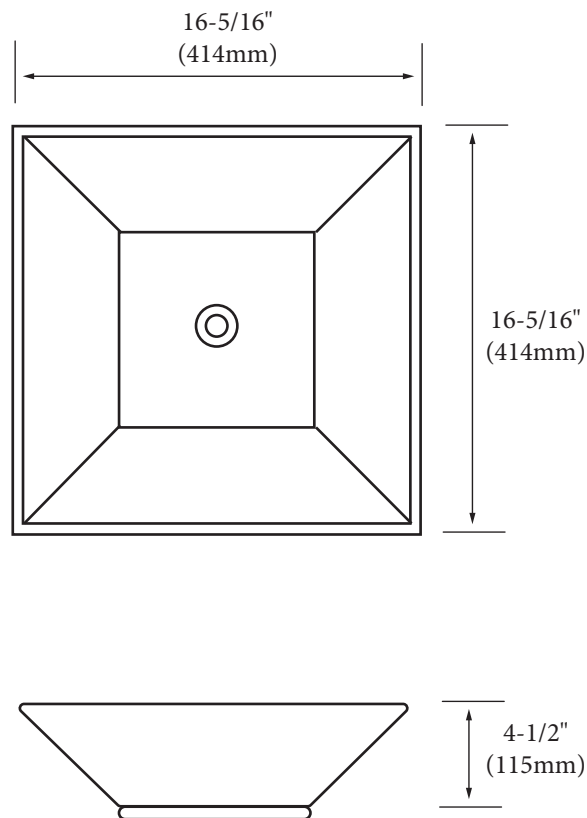
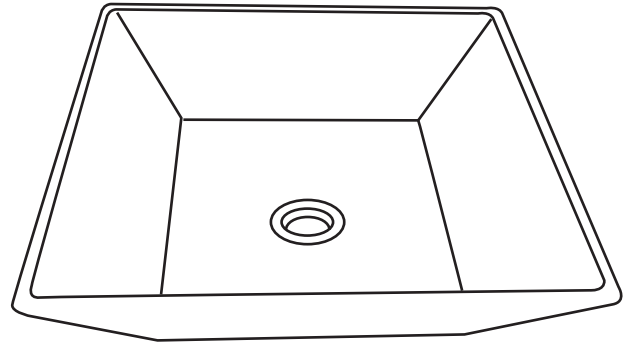
- Design: Square / Contemporary
- Material: Vitreous China
- Above Counter
- Overflow: No
- Size: 16-5/16"(414mm)L x 16-5/16"(414mm)W x 4-1/2"(115mm)H
- Drain hole: Diameter 1-3/4" (45 mm)
- Drain hole: Yes Above counter installation
- Packaging Dimensions: 18"(457mm) x 19"(483mm) x 7" (178mm)
- Weight: 18 lbs. / 18.18 kgs.

FINISHES

White

COMPLIANCE

CSA B45.5-11/IAPMO Z124-11



For clarification, please contact Madeli Customer Care at (800)-819-6988 or (305)-718-8817 Ext. 1
All dimensions are approximate and subject to standard tolerance. Specifications subject to change without prior notice.