

Villa - 42"

Specification & Installation Guide

Features

- Wall mount 42" vanity: 28-1/2" (724mm)H x 22"(560mm)D x 41-5/8" (1058mm)W
- Furniture grade plywood layered with solid wood veneer and protected with several coats of polyurethane.
- Matching finish inside out.
- Three drawers with full-extension soft-close hardware.
- All drawers with adjustable glass dividers.
- Handle/Inlay finish options: polished chrome (PC), brushed nickel (BN), polished nickel (PN), matte black (MB) and satin brass (SB)
- Cabinet furnished assembled.

Colors/Finishes

- Brandy (BR)
- Matte White (MW)
- Studio Grey (TG)

Top/Basin options

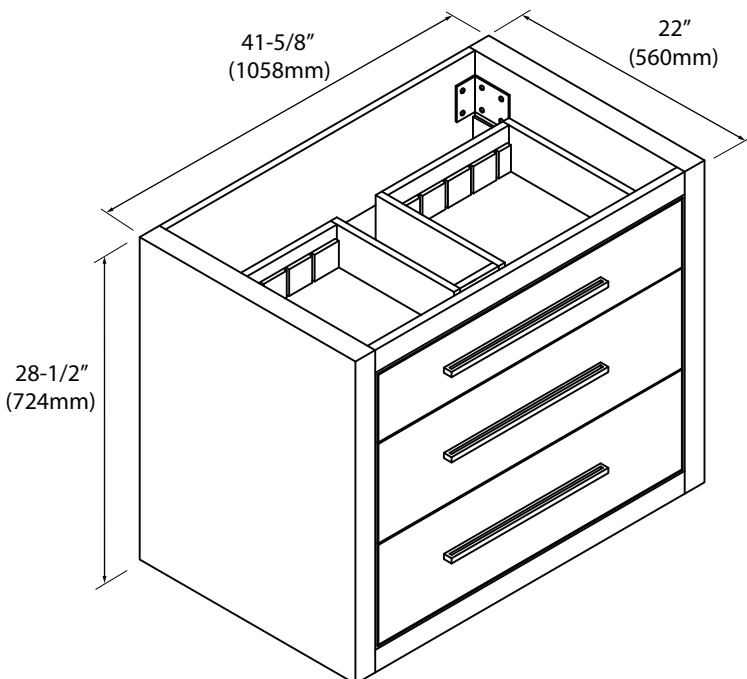
- Glass countertop with above-counter ceramic basin.
- Glossy White X-Stone 2"H top/basin
- Glossy White X-Stone 4-1/2" H Trough sink
- X-Stone 3/4"H countertop no holes. To be field drilled.
- X-Stone 3/4"H countertop with above-counter ceramic basin
- Quartzstone 3"H countertop with undermount ceramic basin

Package Dimensions

46" x 26" x 36"

Weight

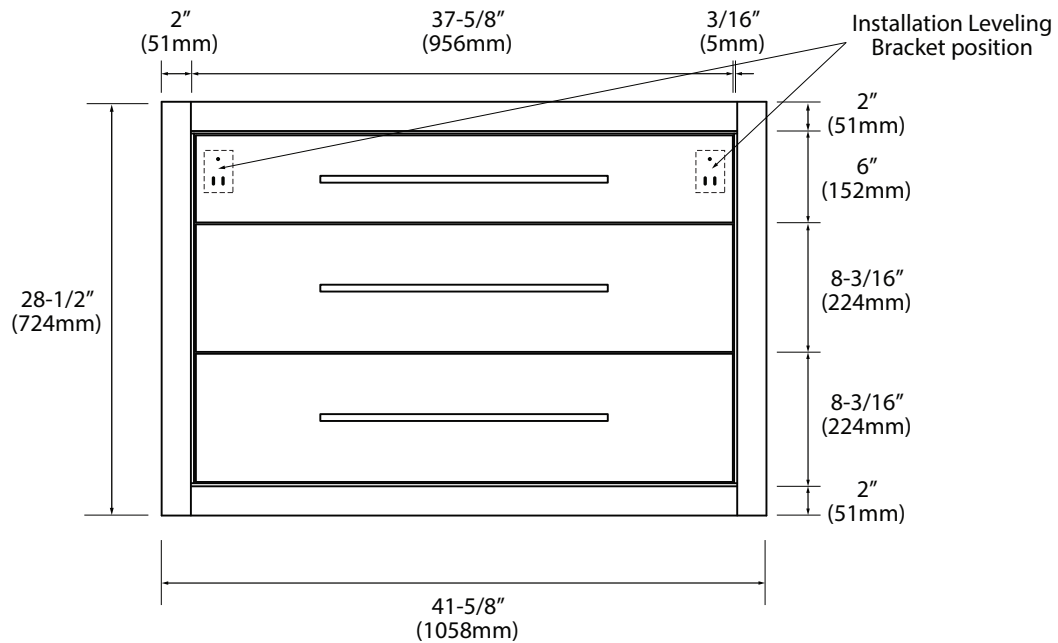
165 lbs/75 kgs.



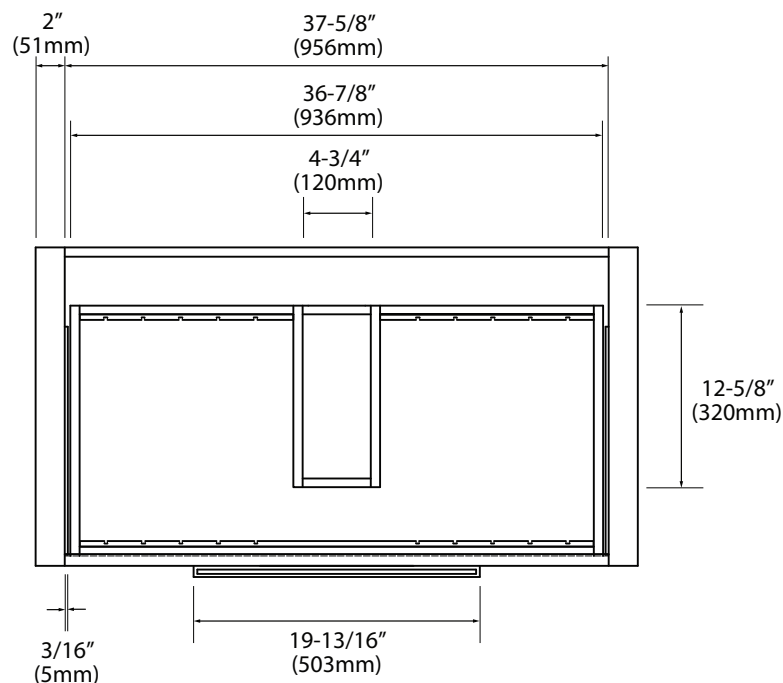
Villa - 42"

Specification & Installation Guide

FRONT VIEW



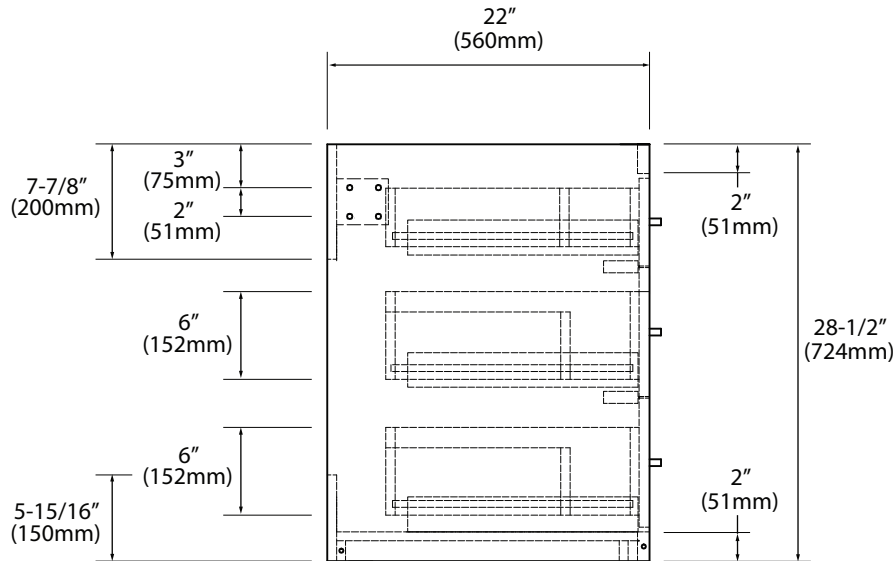
TOP VIEW



Villa - 42"

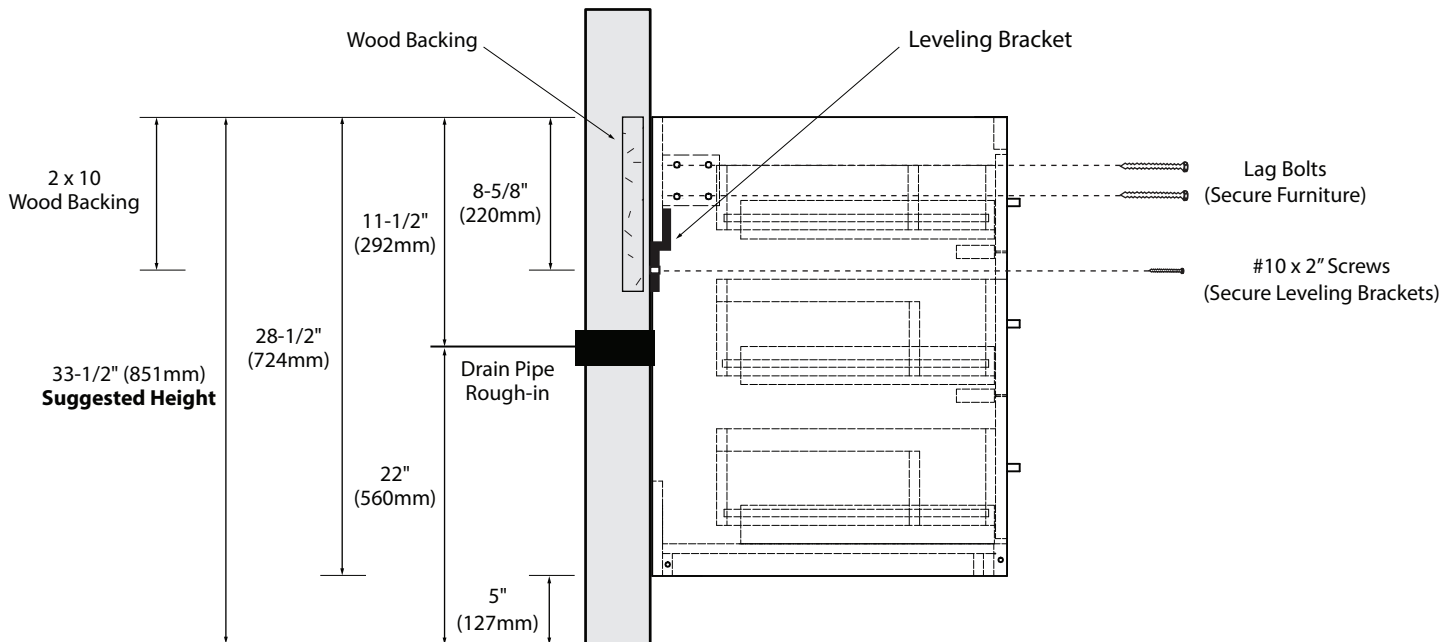
Specification & Installation Guide

SIDE VIEW



TYPICAL INSTALLATION

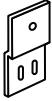




The typical dimensions shown will result in vanity cabinet height of 33-1/2" (851mm). Depending on the countertop selected, the total height will vary from 34-1/4" (870mm) to 38" (965mm). If an alternate height is desired, adjust the rough-in and backing material heights using the dimensions provided.



Villa - 42"

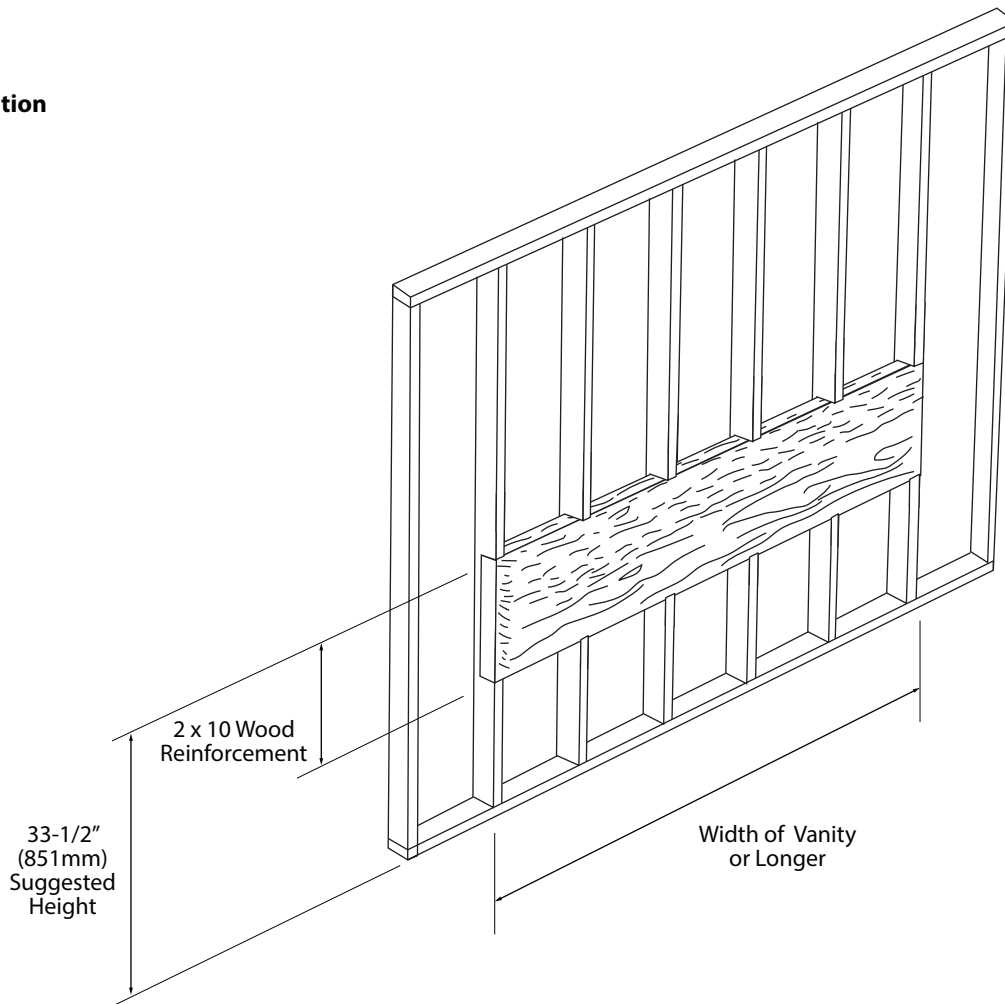
Specification & Installation Guide

INSTALLATION INSTRUCTIONS

Item	Leveling Bracket	#10 x 2" Screws	Anchors	Lag Bolt 5/16 x 2-1/2"	Silicone (not included)
Qty.	2	4	8	8	1
					

STEP 1

Wall Preparation



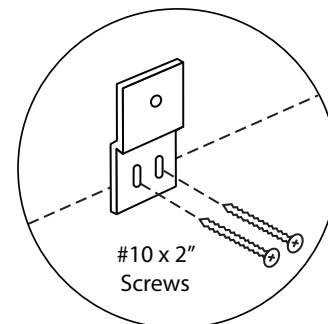
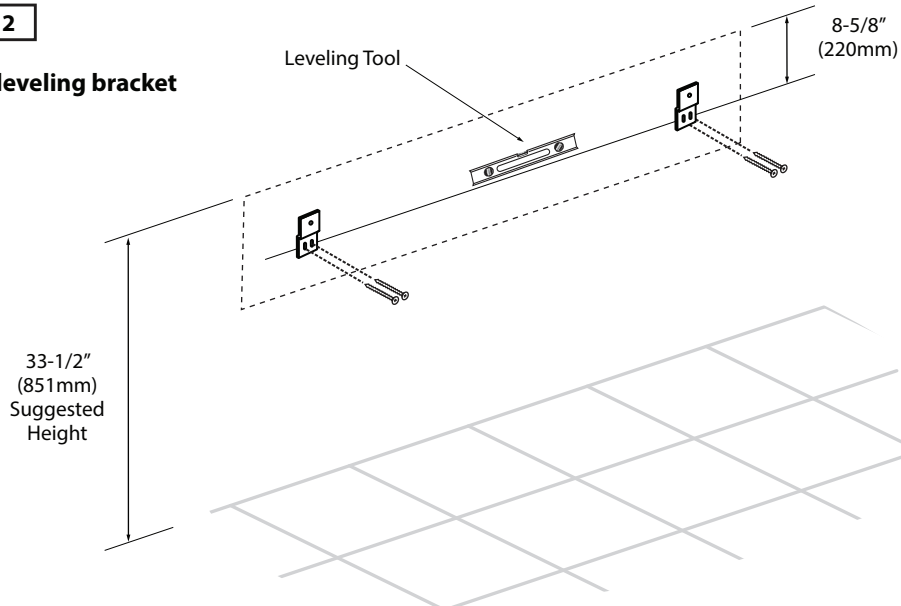
For clarification, please contact Madeli Customer Care at (800)-819-6988 or (305)-718-8817 Ext. 1 or service@madeli.com
All dimensions are approximate and subject to standard tolerance. Specifications subject to change without prior notice.

Villa - 42"

Specification & Installation Guide

STEP 2

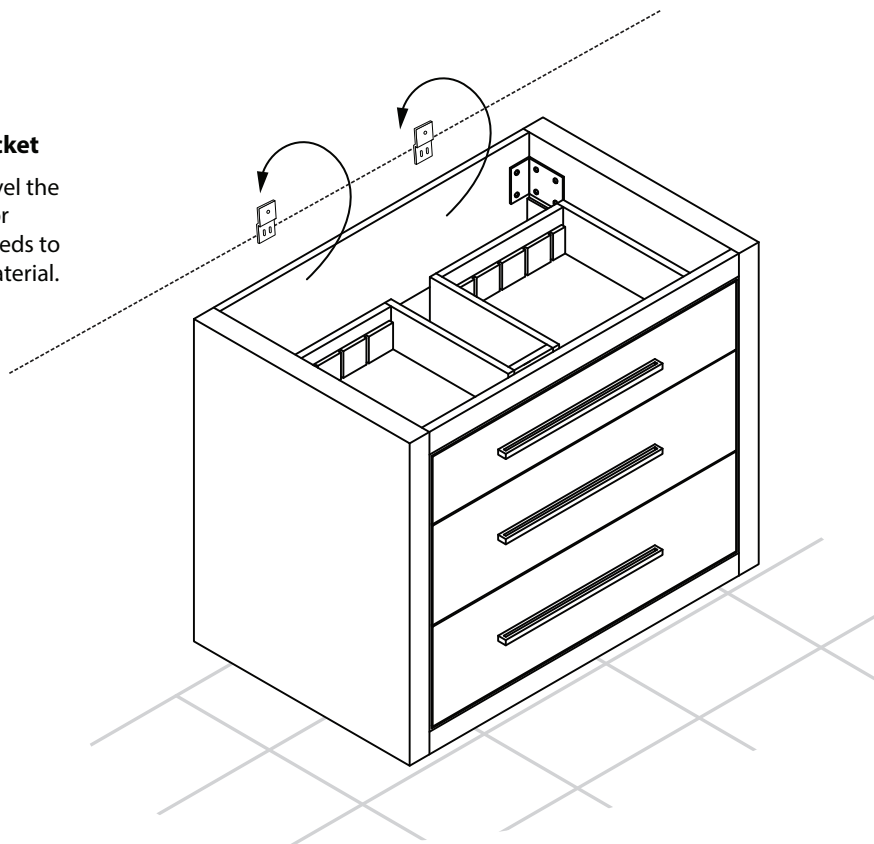
Install leveling bracket



STEP 3

Place vanity on leveling bracket

Leveling brackets are only to level the vanity. They are not designed for permanent support. Cabinet needs to be secured to wood backing material.



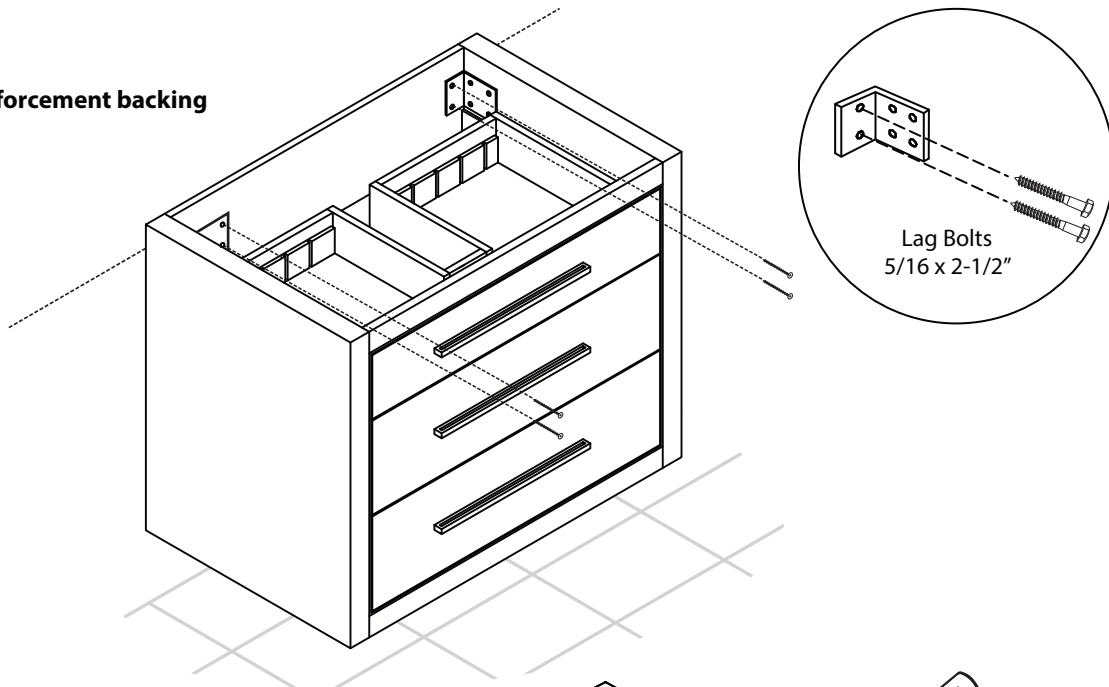
For clarification, please contact Madeli Customer Care at (800)-819-6988 or (305)-718-8817 Ext. 1 or service@madeli.com
All dimensions are approximate and subject to standard tolerance. Specifications subject to change without prior notice.

Villa - 42"

Specification & Installation Guide

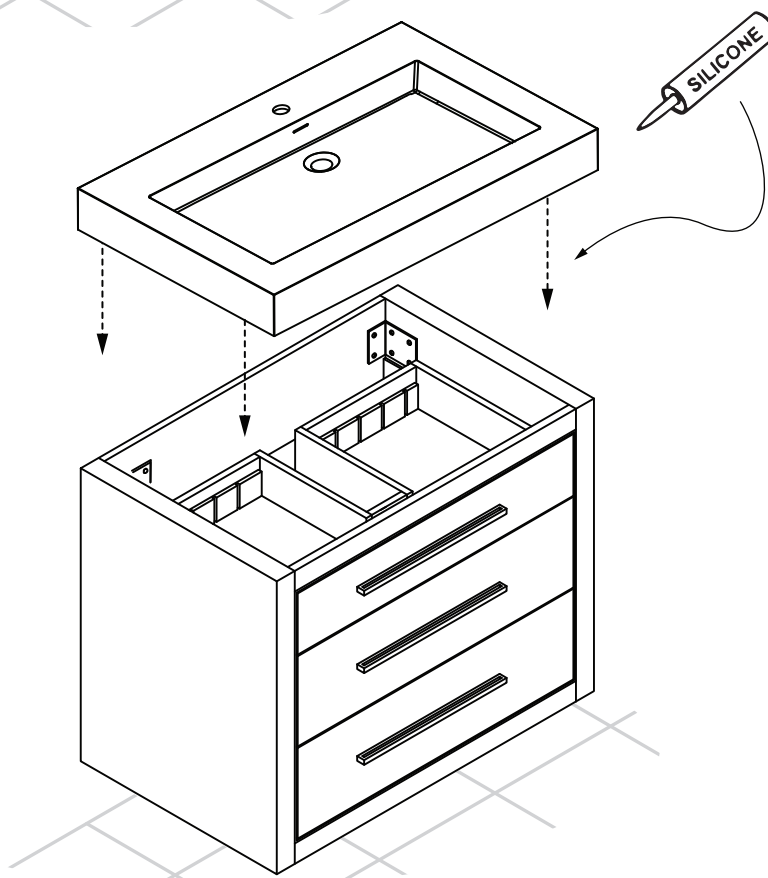
STEP 4

Secure vanity to wood reinforcement backing



STEP 5

Install countertop with Silicone



For clarification, please contact Madeli Customer Care at (800)-819-6988 or (305)-718-8817 Ext. 1 or service@madeli.com
All dimensions are approximate and subject to standard tolerance. Specifications subject to change without prior notice.