

## Milano - 60" Double Bowl

## Specification & Installation Guide

### Features

- Wall hung 60" vanity : 24-3/8"(620mm)H x 18"(458mm)D x 59-1/4" (1505mm)W
- Furniture grade plywood layered with solid wood veneer and protected with several coats of polyurethane (No particle board or MDF used).
- Matching finish inside out
- Six fully adjustable drawers with full-extension soft-close European hardware.
- Bottom drawers include adjustable tempered glass dividers
- Tall center drawer includes an interior pull-out drawer
- Feet option: 4 L-Feet or 2 S-Feet in Polished Chrome or Brushed Nickel finish.

### Colors/Finishes

- Ash Grey (AG)
- Glossy White (GW)
- Walnut (WA)

### Top/Basin options

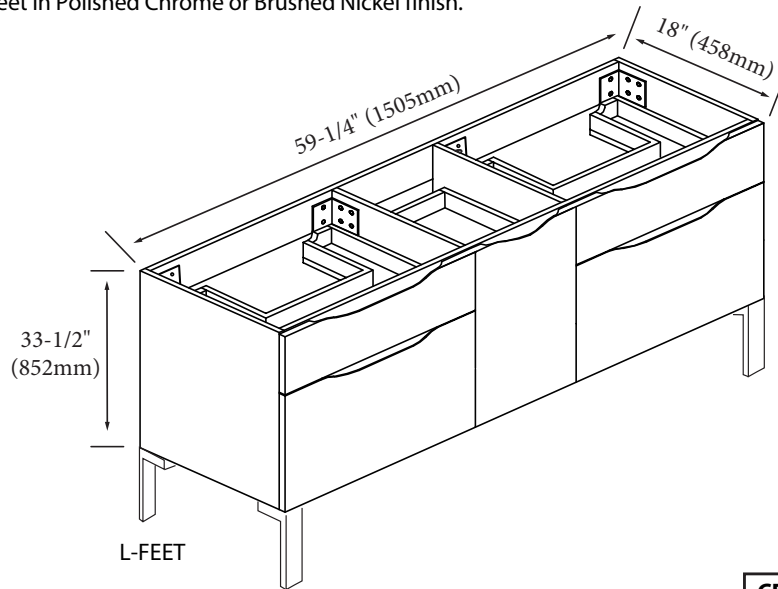
- White, Soft Grey or White Carrara Quartzstone™ top & White ceramic basin
- Glossy White X-Stone top/basin
- Glossy or Matte White X-Stone flat countertop

### Package Dimensions

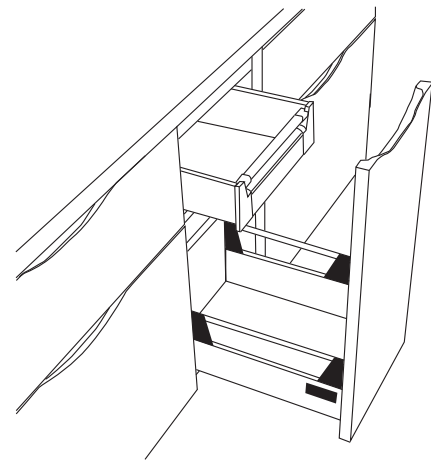
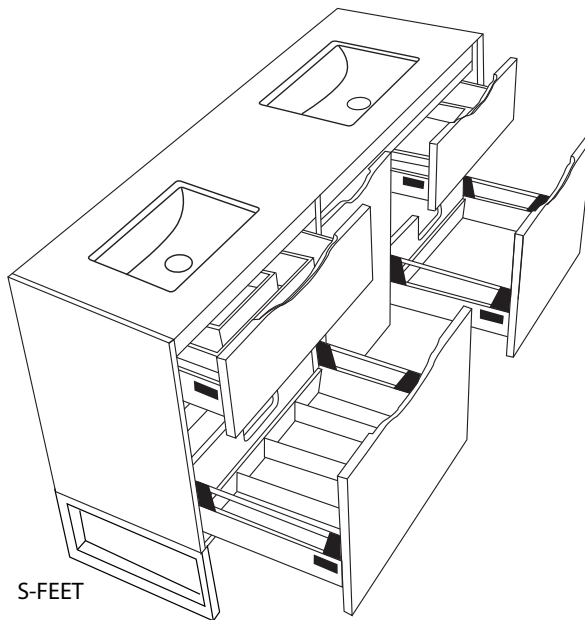
63" x 22" x 27"

### Weight

225 lbs. / 103 kgs



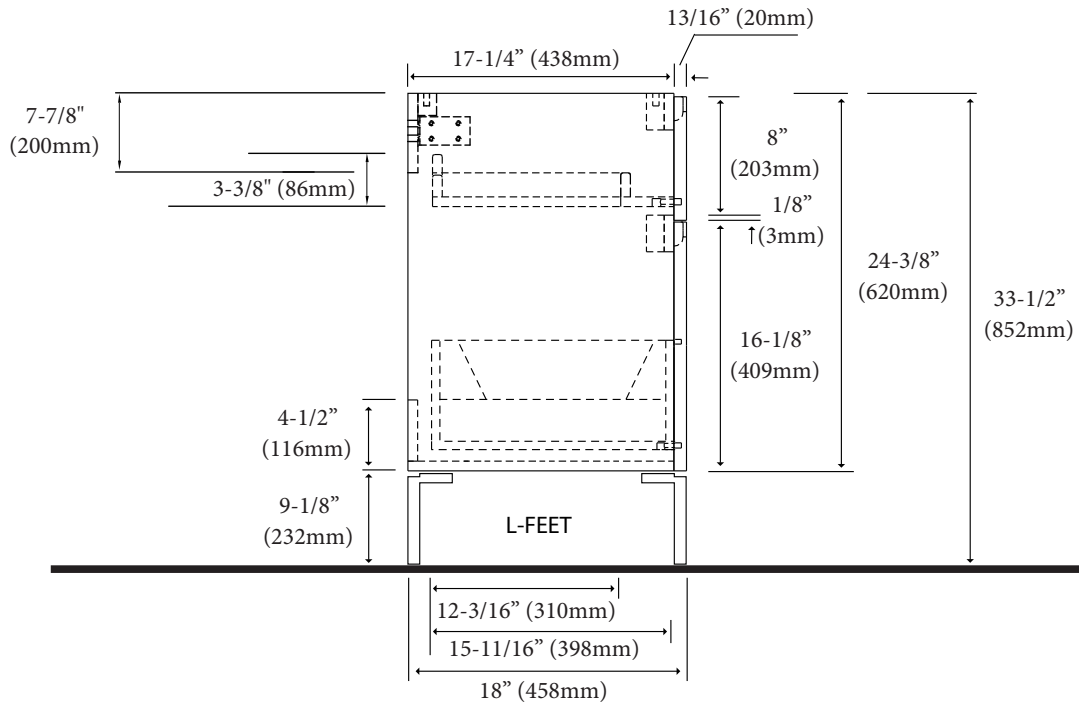
### CENTER DRAWERS



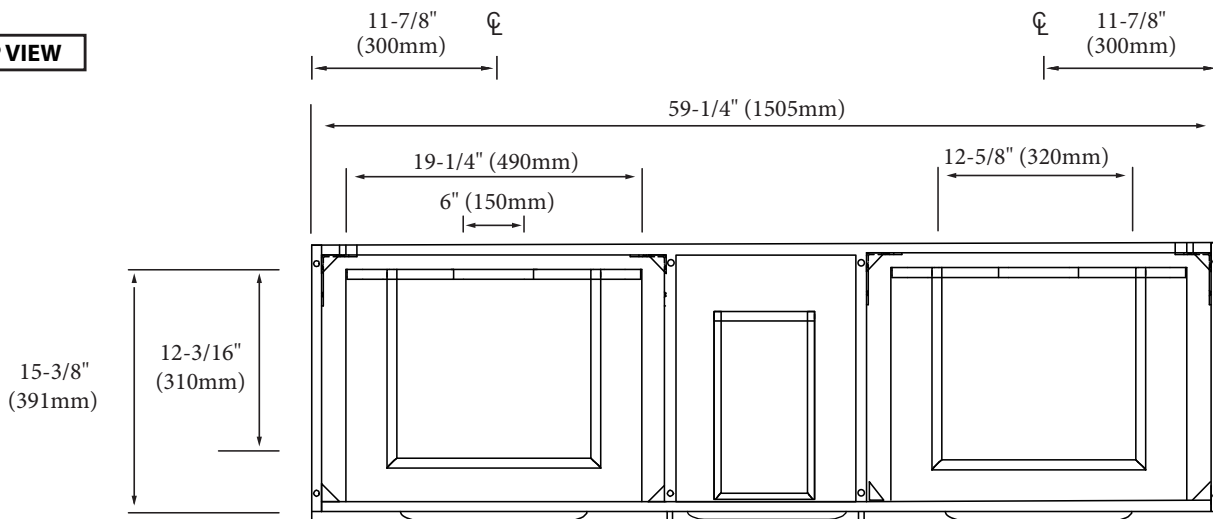
## Milano - 60" Double Bowl

## Specification & Installation Guide

### SIDE VIEW

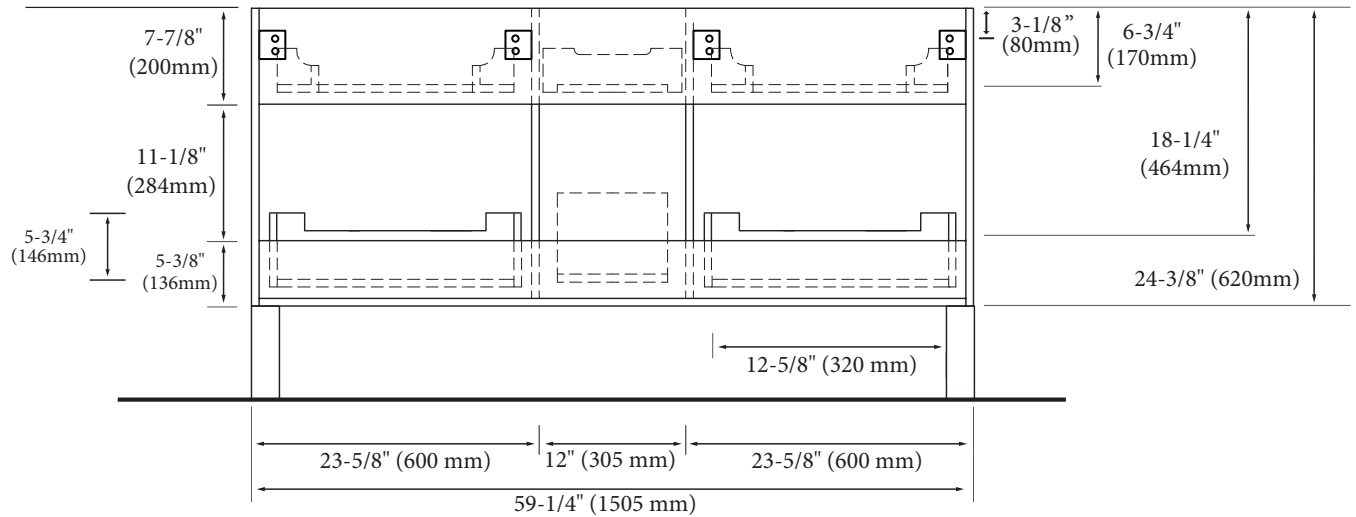


### TOP VIEW

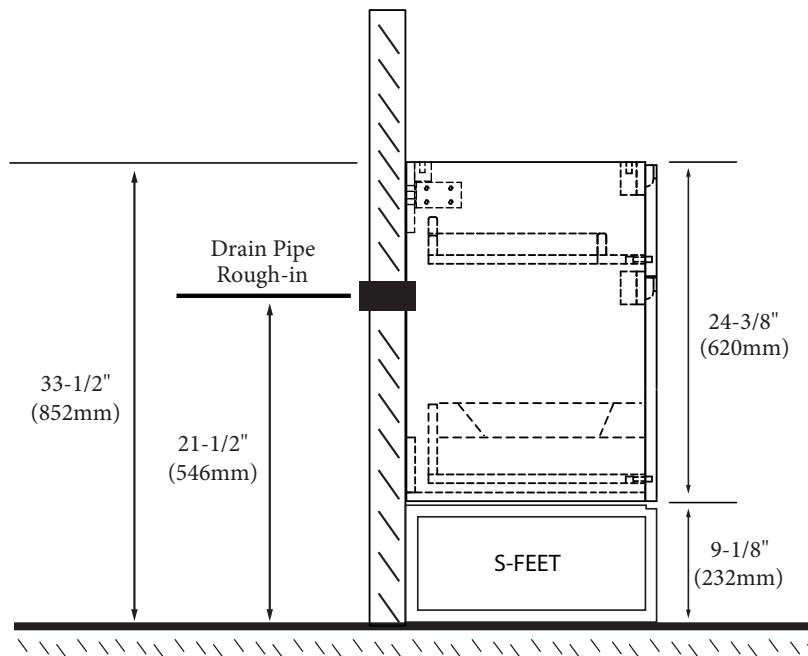


## Milano - 60" Double Bowl Specification & Installation Guide

### BACK VIEW



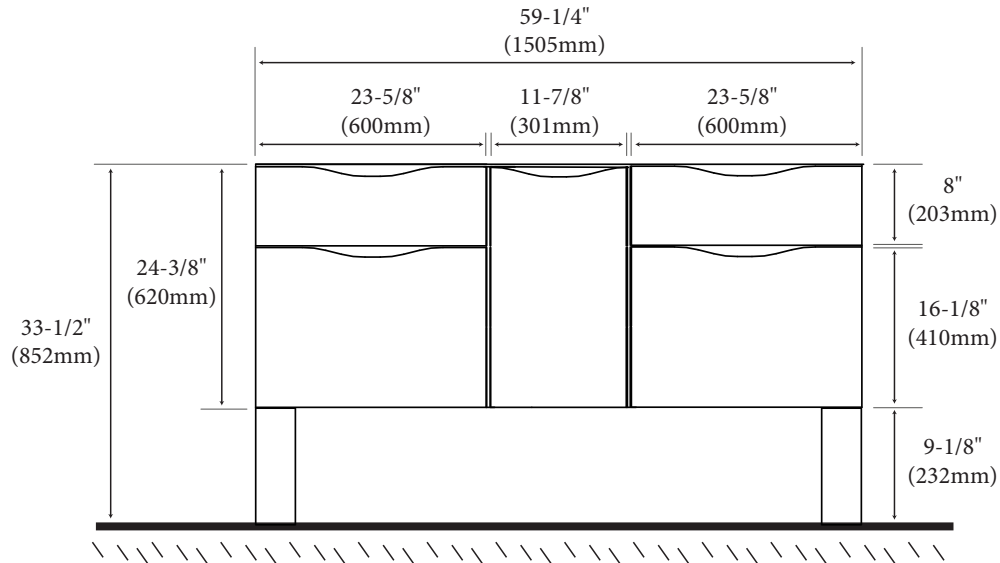
### ROUGH-IN DIMENSIONS



## Milano - 60" Double Bowl

## Specification & Installation Guide

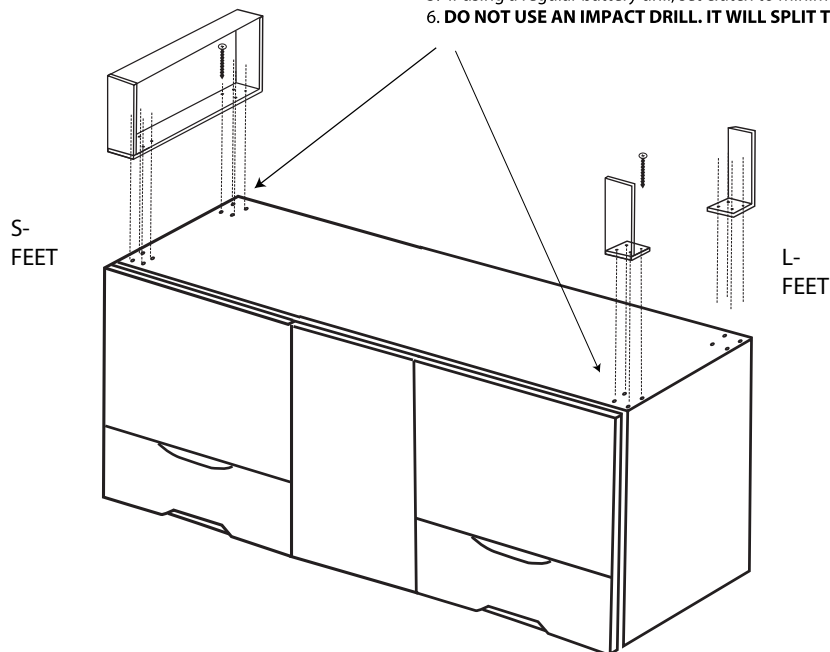
### FRONT VIEW



### INSTALLATION INSTRUCTIONS

#### 1. Install feet

1. Place feet in indicated positions.
2. Mark screw locations.
3. Pre-drill holes with 5/64, 3/32 or 7/64 drill bit about 1/2" deep.
4. **DO NOT OVER TIGHTEN THE SCREWS. DOING SO WILL SPLIT THE WOOD SIDE PANEL.**
5. If using a regular battery drill, set clutch to minimum and increase setting as needed.
6. **DO NOT USE AN IMPACT DRILL. IT WILL SPLIT THE WOOD SIDE PANEL.**

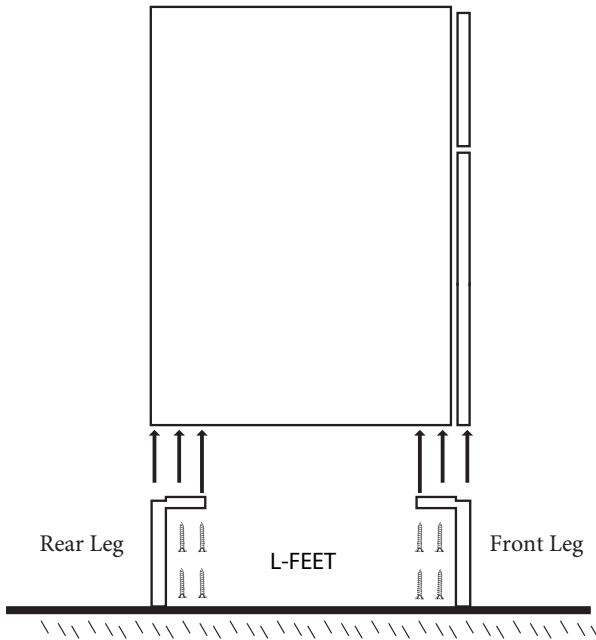


## Milano - 60" Double Bowl

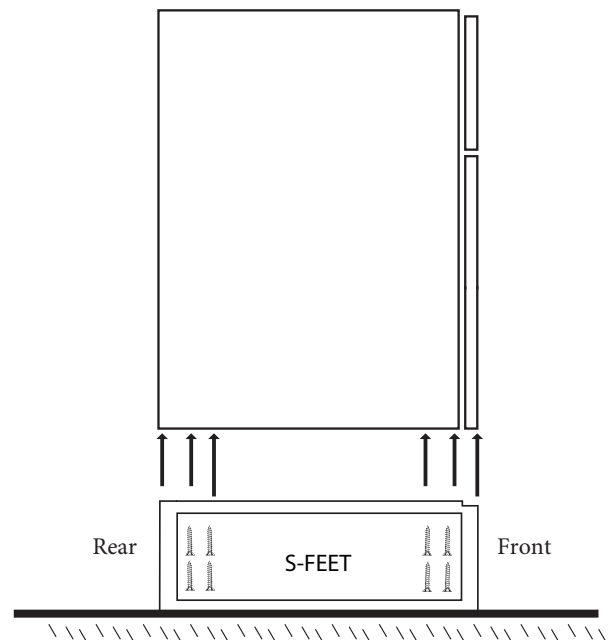
## Specification & Installation Guide

### INSTALLATION INSTRUCTIONS

#### 2. L- Feet installation



#### 3. S- Feet installation



#### 4. Install countertop with Silicone

