



Buy it for looks. Buy it for life.®

*There is more than 1 version of this model.
Page down to identify the version you have.*

DESCRIPTION

- Metal Construction with various finishes identified by suffix
- Pressure balancing cycle valve design with an adjustable temperature limit stop
- 1/2" CC connections
- Includes showerhead, arm, flange and diverter tub spout

OPERATION

- Lever style Handle
- Handle operates counterclockwise through a 270° arc with off at 6 o'clock and maximum hot at the 9 o'clock position. Shut off in clockwise direction
- Adjustable temperature limit stop to control maximum hot water temperature
- Pressure balancing mechanism maintains selected discharge temperature to ± 3°

FLOW

- Showerhead is limited to 2.5 gpm (9.5 L/min) Max
- EP suffix models are limited to 1.75gpm (6.6 L/min) Max

CARTRIDGE

- 1222 cartridge design
- Nonmetallic/nonferrous and stainless steel materials
- Accommodates back to back installations

STANDARDS

- Third party certified to meet ASSE 1016, ASME A112.18.1/CSA B125.1, and all applicable requirements referenced therein
- EP suffix models are third party certified to Watersense®

- **ADA**  for lever handle

WARRANTY

- Lifetime limited warranty against leaks, drips and finish defects to the original consumer purchaser
- 5 year warranty if used in commercial installations

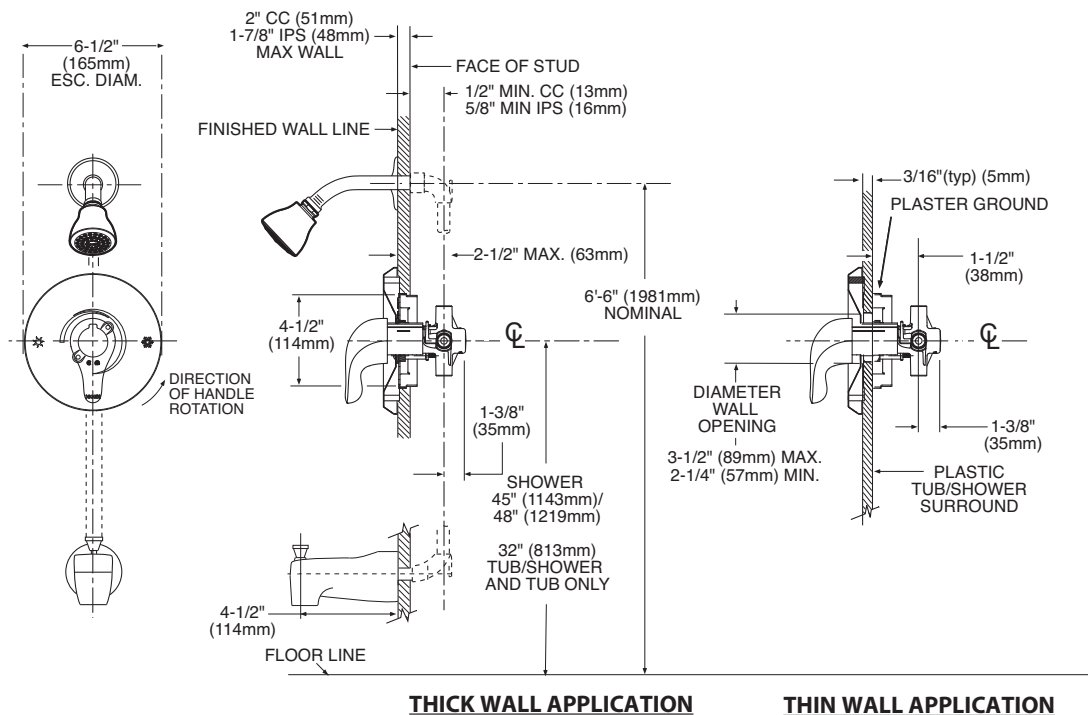
Specifications



CHATEAU® POSI-TEMP® Single-Handle Tub/Shower Valve

Model: L2353
L2353EP

Model: L2363 (with 1/4 Turn Stops)



CRITICAL DIMENSIONS

(DO NOT SCALE)



Buy it for looks. Buy it for life.®

Specifications

DESCRIPTION

- Metal Construction with various finishes identified by suffix
- Pressure balancing cycle valve design with an adjustable temperature limit stop
- 1/2" CC connections
- Includes showerhead, arm, flange and diverter tub spout

OPERATION

- Lever style Handle
- Handle operates counterclockwise through a 270° arc with off at 6 o'clock and maximum hot at the 9 o'clock position. Shut off in clockwise direction
- Adjustable temperature limit stop to control maximum hot water temperature
- Pressure balancing mechanism maintains selected discharge temperature to $\pm 3^\circ$


FLOW

- Showerhead is limited to 2.5 gpm (9.5 L/min) Max

CARTRIDGE

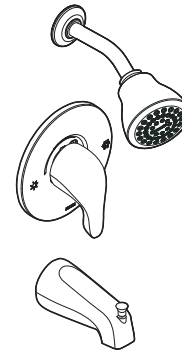
- 1222 cartridge design
- Nonmetallic/nonferrous and stainless steel materials
- Accommodates back to back installations

STANDARDS

- Third party certified to meet ASSE 1016, ASME A112.18.1/CSA B125.1, and all applicable requirements referenced therein
- **ADA**  for lever handle

WARRANTY

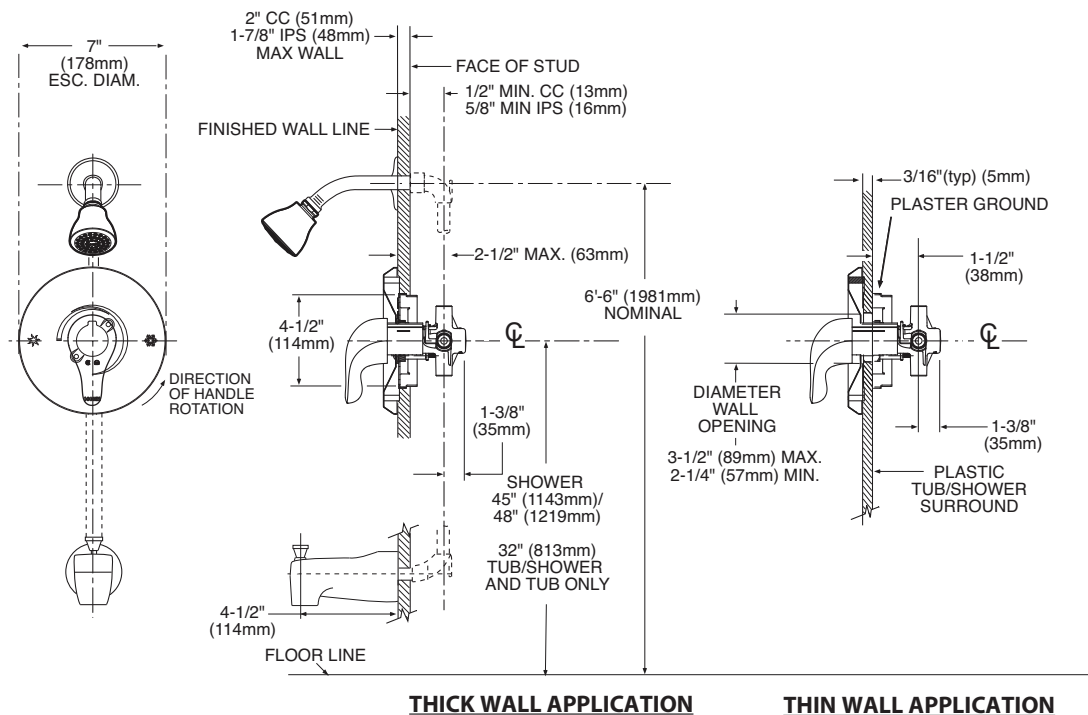
- Lifetime limited warranty against leaks, drips and finish defects to the original consumer purchaser
- 5 year warranty if used in commercial installations



CHATEAU® POSI-TEMP® Single-Handle Tub/Shower Valve

Model: L2353 series, *L2353W

***L2353W Discontinued 2/1/2004**



CRITICAL DIMENSIONS

(DO NOT SCALE)