



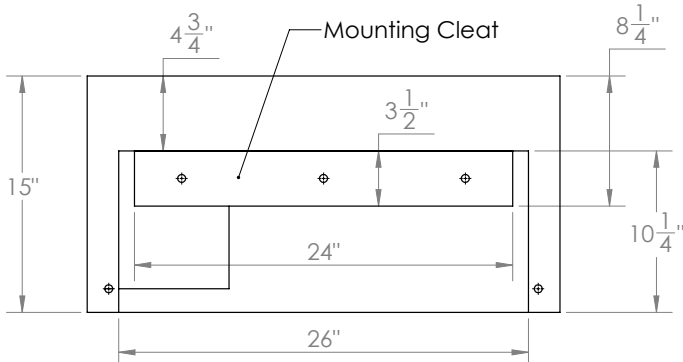
Installation Instructions for Compact/Micro Wall Mounted Vanities

MTI recommends that a stringer be placed between the wall studs at the desired height for installation (see diagrams below for dimensions). There is access from below the vanity for drain and faucet hook up. The installer must drill holes into the mounting cleat on site to ensure that they will line up with as many studs as possible, or into a stringer if applicable.

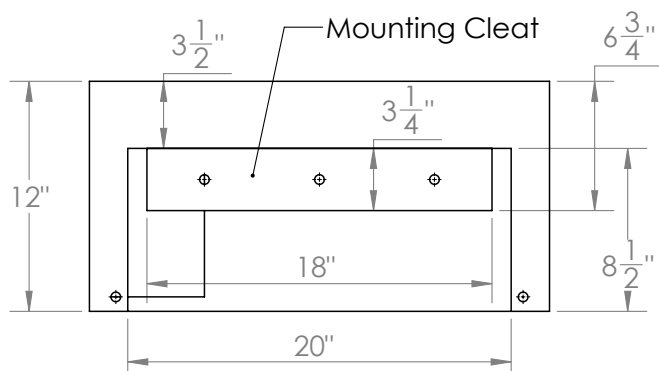
1. Determine the desired final height of wall vanity.
2. Locate cleat (included) and fit into back area of the vanity.
3. Measure from the top of the vanity to the bottom of the cleat for cleat installation.
4. To install the cleat, take desired final height of the vanity and subtract the measurement from the top of the vanity to the bottom of the cleat. This is the height to the bottom of the cleat for installation.
5. Use the height to the bottom of the cleat to make a mark on the wall at desired install location checking left to right positioning.
6. Place bottom of cleat at mark on wall and use a level on cleat to draw a line with a pencil to mark the bottom of the cleat.
7. Hold cleat to wall and mark stud locations for drilling mounting holes. We recommend mounting cleat directly into as many studs as possible. If necessary, mount cleat to wall using appropriate hardware if additional holes are not in studs.
8. Drill holes in cleat at marked locations. Pilot holes may be necessary.
9. With the cleat on the level marked line for alignment, use appropriate hardware to mount cleat to wall.
10. Place vanity on cleat and make sure it is level.
11. There are two additional anchoring holes at the bottom of the vanity that are optional. Please use these as well if lifting of the vanity off the cleat is a concern.

Note: MTI DOES NOT PROVIDE any installation hardware with the Wall-Mounted Vanity Sinks. All hardware must be supplied by installer for each application. It is recommended that any mounting bolts and/or anchors be 1/2" and weight rated for at least 50 lbs each.

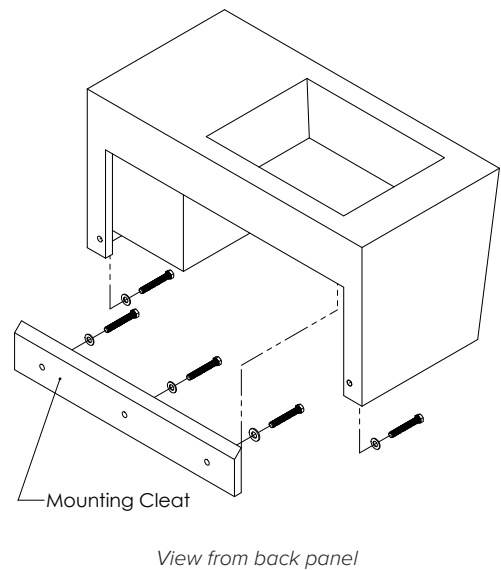
**PETRA WALL-MOUNTED VANITY SINK 2
MTCS-VWM802**



**PETRA WALL-MOUNTED VANITY SINK 9
MTCS-VWM809**



**WALL-MOUNTED VANITY SINK
INSTALL BREAKOUT**



Note: MTI does not warrant leaks associated with improper drain or faucet installation and will not be responsible for any costs involved with removing or reinstalling the vanity. MTI is also not responsible for any improper installation of vanity. If you need assistance, please call the MTI Service Department at 800-783-8827.