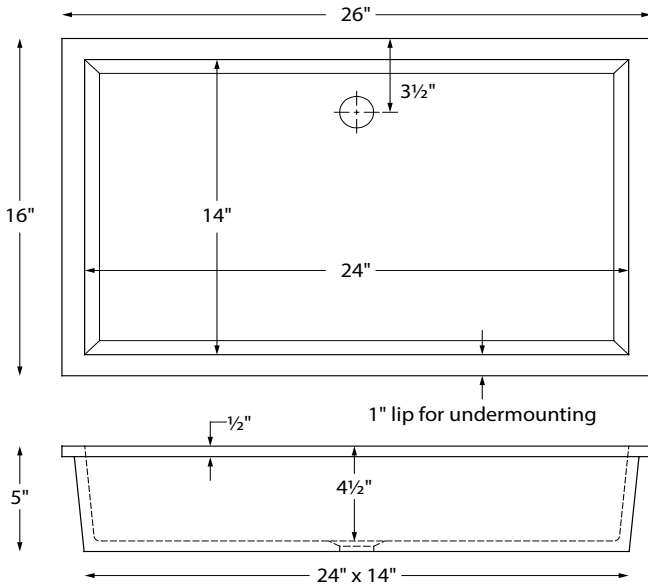


Petra 13 Undermount



MODEL 766
26" x 16" x 5" Bowl: 24" x 14"
UNDERMOUNT ONLY
SculptureStone®
25 lbs / 11 kg



Due to its handcrafted nature, always measure sink on-site to ensure cut-out accuracy when undermounting.

ORDERING AND INSTALLATION

- 1.5" drain opening
- Optional overflow available for undermount (check local codes)
- Undermount only. Measure on site to achieve the proper cut-out size.
- Lip detail will accommodate commonly used undermount hardware. Undermount hardware is not included.
- One-piece construction using Engineered SculptureStone® (ESS) material.
- Non-porous, stain-, mold- and mildew-resistant SculptureStone®
- Material is approximately 70% organic
- Five-Year Limited Residential Warranty

Sink Options and Pricing

Part #: MTCS766 **\$1,245**

Standard Color White, matte finish
Biscuit Color Upgrade (SSBISNK) **\$120** matte finish
 Additional material colors available for projects only. Please call MTI.

Hand-Polished Deep Gloss Finish Upcharge (SSGLOSSENK3) **\$715**
 For White or Biscuit

Quick Ship (QSPRI3) **\$255** reduces lead time
 Please call for availability.

Options and Accessories

Teak Sink Tray

Slatted (TKST1) **\$190** Solid (TKST2) **\$220**

Drain Kits

Integrated Overflow no charge
 Rear Overflow (SINKIOR), Front Overflow (SINKIOF)

Finger Touch Drain With Overflow
 Chrome (DKFGC) **\$185**, Brushed Nickel (DKFGBN) **\$180**

Finger Touch Drain Without Overflow
 Chrome (DKFGCN) **\$185**, Brushed Nickel (DKFGBNN) **\$190**

Grid Drain With Overflow
 Chrome (DKGDC) **\$130**, Brushed Nickel (DKGDBN) **\$180**

Grid Drain Without Overflow
 Chrome (DKGDCN) **\$115**, Brushed Nickel (DKGDBNN) **\$180**

Fixed Drain Without Overflow
 Chrome (DKFDC) **\$300**

Sink Bottom Cover matching material color

Matte (BCSMT) **\$280**, Gloss (BCSGL) **\$390**
 Upcharge, Ext. Color for Sink Bottom Cover Matte (SSCOLSBM) **\$260**
 Gloss (SSCOLSBG) **\$260**

• Before discarding packaging, check for accessories that may be inside.
 • All product measurements are ±1/2".
 • Specifications and configurations are subject to change without notice.
 • Measurements herein supersede all others published prior to publication date below.

