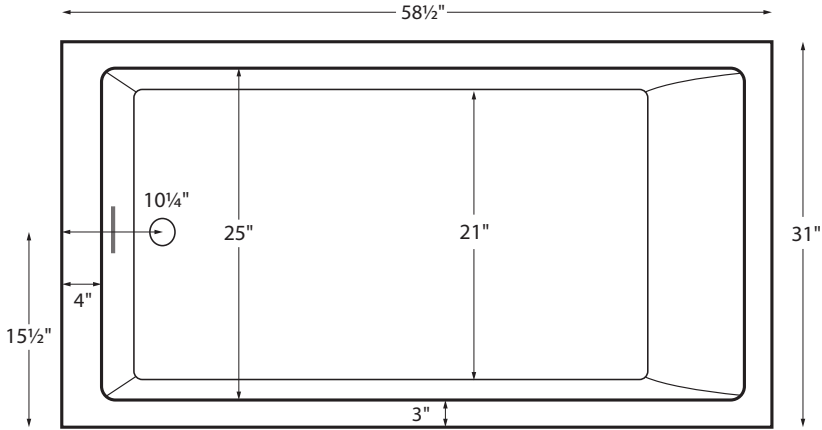


Maddux Drop-In

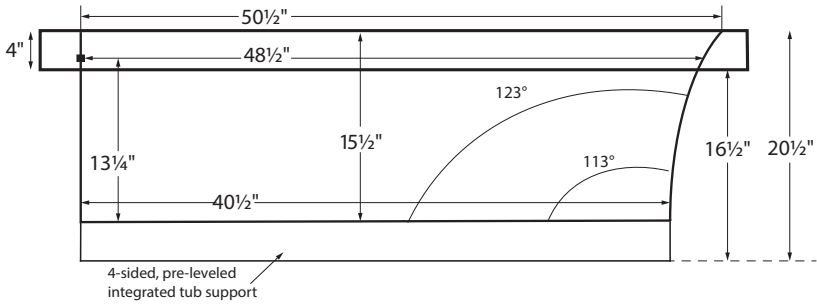


Features an integrated overflow.

MODEL 162A
58.5" x 31" x 20.5"
DROP-IN 63 gal to overflow
SculptureStone®
300 lbs / 136 kg soaker 330 lbs / 150 kg airbath
May also be undermounted. Must specify on order. Not recommended as a tub / shower combination. Filling this tub to the maximum may require an above average size or dedicated water heater.



Shown above as a Soaker.



ELECTRICAL COMPONENTS & SPECIFICATIONS		
Required Electrical Service - 110 Volt		
Hydrotherapy Package	Components Included	GFCI
Air Massage	heated blower	1-15 amp
Electrical requirements may change with the addition of optional therapy components. See specific option details or installation information. CSA Certified C/US; ANSI Z124.1 and ANSI 112.19.7 and ANSI 112.19.7		

See the Installation & Operation Manual for more details.
MTI's Customer Service: Monday-Friday 8am-6pm EST
800-783-8827 or service@mtibaths.com

IMPORTANT ORDERING & INSTALLATION INFORMATION

- Before ordering or installing, please consider future access to equipment.
- Standard rim height on drop-in models is 4". Over 4" available upon request.
- Pre-leveled integral pedestal supports tub on a flat, level subfloor.
- Includes an integrated overflow with toe tap drain kit. May be specified without an overflow (see local codes before ordering without an overflow).
- Air baths require job site preparation for remote installation of the blower and required check valve. Check valve must be installed higher than the rim of the tub.
- Waterproof remote control included with air bath. Keypad shipped loose may be remote mounted on nearby surface/wall.
- Faucet valves cannot be mounted on this tub model.

• Before discarding tub crate, check for accessories that may be packaged inside.
• All product measurements are ±1/2".
• Specifications and configurations are subject to change without notice.
• Measurements herein supersede all others published prior to publication date below.



For more information on options and accessories go to SculptureStone® Tubs Options on mtibaths.com

Maddux Drop-In
MODEL #: 162A
58.5" x 31" x 20.5"

- Blower & required check valve for airbath must be remote mounted.
- Check valve must be installed higher than the rim of the tub.
- See the Installation & Operation Manual for more details.

Hydrotherapy	Package Contents	Part #	MSRP
Soaker	Soaking bath - no jets. Includes an integrated slotted overflow with a toe-tap drain kit.	S162A	\$10,305
Air Bath	20 air jets, heated air blower, keypad, waterproof remote control integrated slotted overflow with a toe-tap drain kit.	AST162A	\$15,425

Options <small>Must be ordered at time of purchase</small>
Quick Ship (QSPRI2) \$1,025 reduces lead time <i>Please call for availability</i>
Standard Color White, matte finish Biscuit Color Upgrade (SSBI) \$310 matte finish <i>Additional material colors available for projects only. Please call MTI.</i>
Hand-Polished Deep Gloss Finish (SSGLOSS2) \$850 upcharge For white or biscuit
Tile Flange Factory Installed 1 Side (TFK1) \$175 , 2 Side (TFK2) \$185 , 3 Side (TFK3) \$200 <i>Must specify flange location(s) upon ordering</i> Field Install Tile Flange Kit (TFKNI) \$185 <i>Includes adhesive</i>

Boutique Accessories Packaging / Handling Fee Applies
SculptureStone® Bathroom Table (TABLE) \$825 matte finish +\$410 gloss finish upcharge (SSGLOSSNK) <i>Order with tub for best color match</i>

Accessories
Teak Bath Mat (TKMAT3018) \$815 Measures 30" x 17.5" x 1" <i>Custom sizes also available. Contact MTI for details.</i>
Teak Tub Tray Slatted (TK-TRAY1) \$500 Solid (TK-TRAY2) \$570 <i>Order with tub for best fit</i>

Drains & Overflow Kits Must be ordered at time of purchase

Toe Tap Drain Cover Finishes
PVC drain - Chrome included
+\$50 upcharge Br. Nickel (WIOBN), Pol. Nickel (WIOPN)
+\$85 upcharge Matte Black (WIOMB)
+\$105 upcharge Oil-Rubbed Bronze* (WIOOR)
+\$640 upcharge Special Finish* (WIOSF)
<i>Send finish sample to MTI Baths for best match.</i>

Toe Tap SculptureStone® Drain Cover Finishes
Upgrade is in lieu of standard chrome to tap drain cover.
White only
+\$90 upcharge Matte Finish (SSWIOMT)
+\$110 upcharge Gloss Finish (SSWIOGL)
Brass Tailpiece (WIOBS) \$85 in addition to finish charge listed above
Quick Drain Kit (WOQ) \$460

* MTI has selected an oil-rubbed bronze finish that is compatible with Delta and many other manufacturers. To ensure best match, order as a Special Finish and submit a sample.

CSA # MTCT-162A

©2023 by MTI Baths, Inc. Modification Rights Reserved

* Allow 2-4 weeks lead time for Special Finishes. Send sample for best match.

