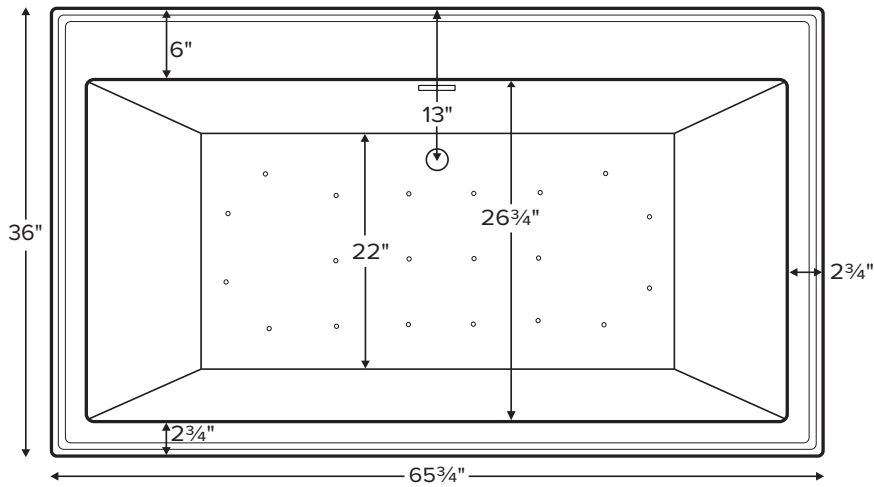


Madelyn 5



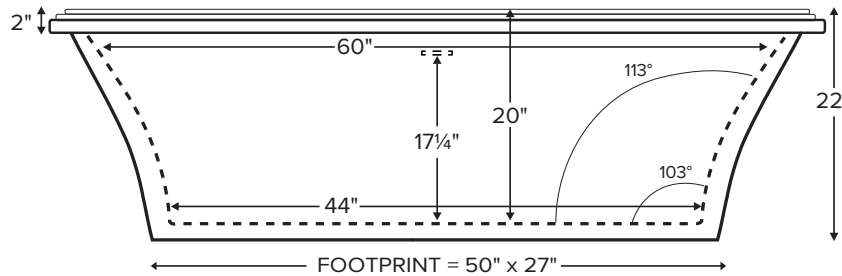
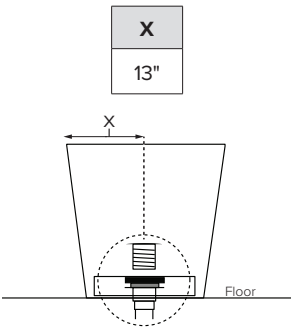
Features an integrated overflow.

| | |
|--|-------------------|
| MODEL 238 | |
| 65.75" x 36" x 22" | |
| FREESTANDING 93 gal to overflow | |
| Acrylic CXL® | DoloMatte® |
| 155 lbs / 71 kg <SOAKER> | 174 lbs / 79 kg |
| Filling this tub to the maximum may require an above average size or dedicated water heater. | |



The Madelyn 5 features a flat deck on the drain side for mounting faucetry.
Shown with Air Massage Package.

Drain Rough-In Measurement



ELECTRICAL COMPONENTS & SPECIFICATIONS

| Hydrotherapy Package | Components Included | 110V GFCI |
|----------------------|------------------------------|-----------|
| Air Massage | heated blower | 1-15 amp |
| Air Massage Elite | heated blower, chromatherapy | 1-15 amp |

Electrical requirements may change with the addition of optional therapy components.
See specific option details or installation information.
CSA Certified C/US; B45.5/IAPMO ANSI Z124.1 and ANSI 112.19.7

See the Installation & Operation Manual for more details.
MTI's Customer Service: Monday-Friday 8am-6pm EST
800-783-8827 or service@mtibaths.com

IMPORTANT ORDERING & INSTALLATION INFORMATION:

- Before ordering or installing, please consider future access to equipment.
- This tub comes equipped with an access panel to facilitate installation of valves and toe tap drain.
- Tub features slotted integrated overflow with toe tap drain.
- Air baths require job site preparations for remote mounting the blower.
- Hydrotherapy equipment may ship loose for remote installation depending on tub model. See package content on the following page for details.
- Radiance placed on floor locations will affect placement of air jets.
- All tubs are in accordance with CSA B45.5/IAPMO Z124 standard and compliant with ASTM C 1028-07 coefficient of friction. DoloMatte meets ANSI A137.1/A326.3 coefficient of friction and AS HB198:2014 pendulum slip resistance testing.

- Before discarding tub packaging, check for accessories that may be packaged inside.
- All product measurements are ±1/2".
- Specifications and configurations are subject to change without notice.
- Measurements herein supersede all others published prior to publication date below.



Madelyn 5
MODEL 238
65.75" x 36" x 22"

| Hydrotherapy Packages | Package Contents | Acrylic CXL® | | DoloMatte® | |
|-----------------------|---|---------------|-----------------|-----------------|-----------------|
| | | Part # | MSRP | Part # | MSRP |
| Soaker | Soaking bath - no jets; includes a pre-leveled foam base and integrated slotted overflow with toe-tap drain kit in chrome. | S238 | \$5,645 | S238DM | \$6,365 |
| Air Massage | 20 air jets, heated air blower, pre-leveled foam base and integrated slotted overflow with toe-tap drain kit in chrome. Blower and control boxes must be remote located. | AST238 | \$8,930 | AST238DM | \$9,650 |
| Air Massage Elite | 30 air jets, heated air blower, Chromatherapy LED lighting, Spa Mode, pre-leveled foam base. and integrated slotted overflow with toe-tap drain kit in chrome. Blower and control boxes must be remote located. | AE238 | \$10,640 | AE238DM | \$11,360 |

RECOMMENDED SENSORY THERAPIES

Chromatherapy

(LE) **\$800** underwater lighting
2 LED lights included

Audiotherapy

(STEREOBT) **\$1,390** 2 transducers
with bluetooth and amplifier
(BTREMOTE) **\$600** bluetooth remote

(STEREOH202) **\$1,575** 4 transducers
amplifier not included

Thermltherapy

(RAD100) **\$1,595** Radiance®
2 heated zones included

| Options <i>Must be ordered at time of purchase</i> |
|--|
| Standard Colors White (CWH) DoloMatte available in matte white only. Biscuit (CBS) Not available for DoloMatte. |
| Quick Ship reduces lead time (QSPRI) \$430 <i>Please call for availability</i> |
| Textured Bottom (TXTBTM) Acrylic CXL® only \$105 DoloMatte® exceeds ANSI A137.1/A326.3 and AS HB198 slip tests. |
| Virtual Spout high-flow integrated tub filler (FPMJ) \$450 |
| Grab Bars from \$330 (1 set of 2) Grab bars are factory-installed to the left and right of the overflow. Go to Acrylic Tub Options on mtibaths.com for details before ordering. <i>Color and finish selections vary.</i> |
| Decorative Towel Bar Chrome (CHTOWEL) \$545 , Brushed Nickel (BNTOWEL) \$545 |

| Accessories |
|--|
| Pillows from \$180 |
| Teak Bath Mat (TKMAT3018) \$815 <i>Custom sizes also available. Contact MTI for details and pricing.</i> |
| Teak Tub Tray Slatted (TK-TRAY1) \$500 Solid (TK-TRAY2) \$570 |
| Floor-Mounted High-Flow Tub Filler Contemporary Chrome (FILLC) \$1,480 Brushed Nickel (FILLBN) \$1,710 |
| Faucet Stand SculptureStone® Standard Small 3-hole capacity 14¼" w x 21¾" h Matte (STAND) \$725 Large 5-hole capacity 22" w x 21¾" h Matte (STANDL) \$855 +\$430 gloss finish upcharge (SSGLOSSSNK) |

Drains & Overflow Kits *Must be ordered at time of purchase*

Integrated Overflow with Toe Tap

Slotted Overflow

PVC drain - Chrome (SLOTIOC) included

Finish Upcharge

White (SLOTIOWHU) **\$65**

Brushed Nickel (SLOTIOBNU) **\$65**

Polished Nickel (SLOTIOPNU) **\$105**

Round Overflow

Chrome (RIOCI) may substitute slotted overflow

Finish Upcharge

White (RIOWH) **\$120**

Brushed Nickel (RIOBN) **\$120**

Polished Nickel (RIOPN) **\$120**

Brass Tailpiece (WIOBS) **\$85**

May be ordered separately

Quick Connect Drain - (WOQ) **\$460**

