

# INSTALLATION INSTRUCTIONS ROMAN TUB 2 VALVE AND TRIM

Valve Model No's: I-506, I-577

Trim Kit for Model No's:

876, 886, 896, 906, 956, 966, 1026,  
1056, 1066, 1076, 1086, 1096, 1106, 1746, 3-2486, 3-2496



**NEWPORT BRASS**  
Flawless Beauty. From Faucet to Finish.™

2001 CARNEGIE AVE, SANTA ANA CA 92705

(949) 417-5207

WWW.NEWPORTBRASS.COM

## **Rough-in Valve Installation**

Recommended Installation by a Professional Plumbing Contractor

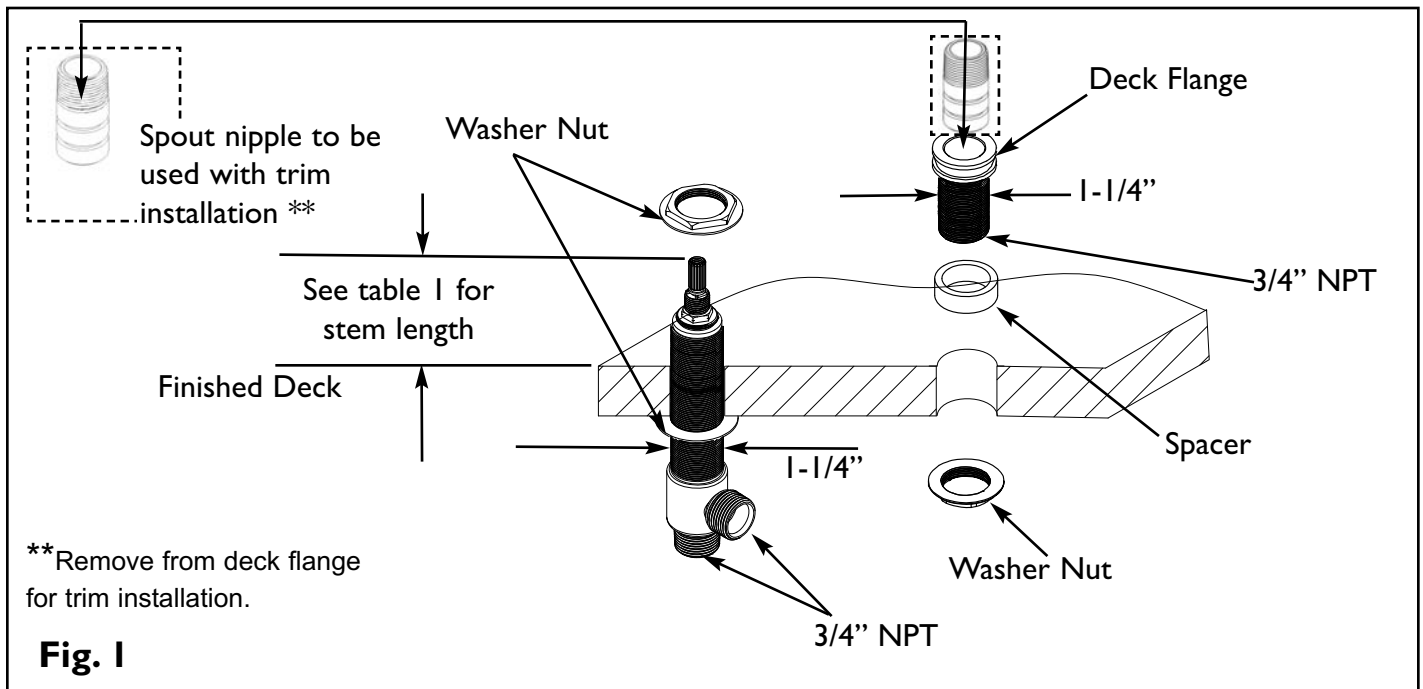
**Note:** Use plumbers tape or equivalent to seal all threaded joints.

**Warning:** To prevent severe damage to valve body, any solder/braze process must be performed a min. of 4" from ports.

1. Install the Spout quick connect Deck Flange through spacer and center hole of mounting surface. Secure with washer nut. See Figure 1.

Note: Spout Nipple is installed in the Deck Flange for safe keeping until the trim is to be installed.

2. Place washer nut on valve body. Insert body, (blue cold & red hot), through hole from below mounting surface. See Fig. 1. Adjust and secure with additional washer nut so that the top of valve stem is at the correct height from mounting surface. See Table I.



3. Attach hot/cold valves to spout, utilizing 3/4" copper pipe. See Figure 2.

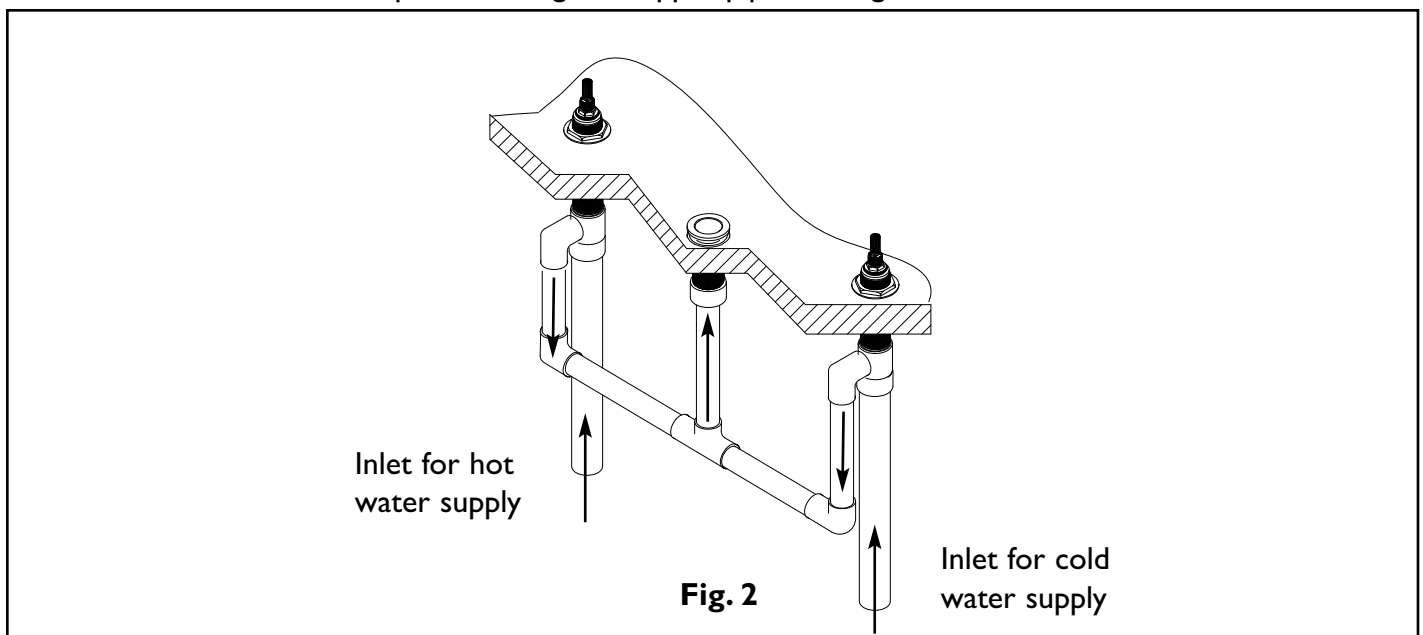


TABLE I

SERIES	876	886	896	908	956	966	1026	1056	1066	1076	1086	1096	1106	1606	1626	1646	1666	1746	2486	2487
STEM LENGTH	2-3/8"	2-7/16"	2-1/4"	2-1/4"	2-3/8"	2-1/4"	2-7/16"	2-5/8"	2-1/2"	2-5/8"	2-5/8"	2-1/2"	2-1/2"	2-1/4"	2-1/4"	2-1/16"	2-1/16"	2-3/16"	SEE NWP-HDL1	SEE NWP-HDL1

### Trim Installation

Note: To achieve desired handle rotational alignment, the cartridge **MUST** be tightened in a clockwise rotation only. The use of petroleum base plumbers putty on our products will nullify the warranty. We recommend the use of clear silicone sealing materials. (Cartridge factory torque is set @ 14-16 ft-lbs.)

- Attach handle trim to valve. When possible, any adjustments for rotational alignment should be made to the valve body - not to the cartridge. (Note: Allow minimum spacing between handles and escutcheon/bonnet to prevent damage to the surface finish.) Secure handles into place with setscrew. See Figure 3.
- Apply plumbers tape to spout nipple and install into base of spout. Slide spout nipple into quick connect deck flange (re-grease if necessary). Make sure spout is flush with deck and secure into place with setscrew. See Figure 3.
- Turn on water supply, check for leaks and make any final adjustments required.

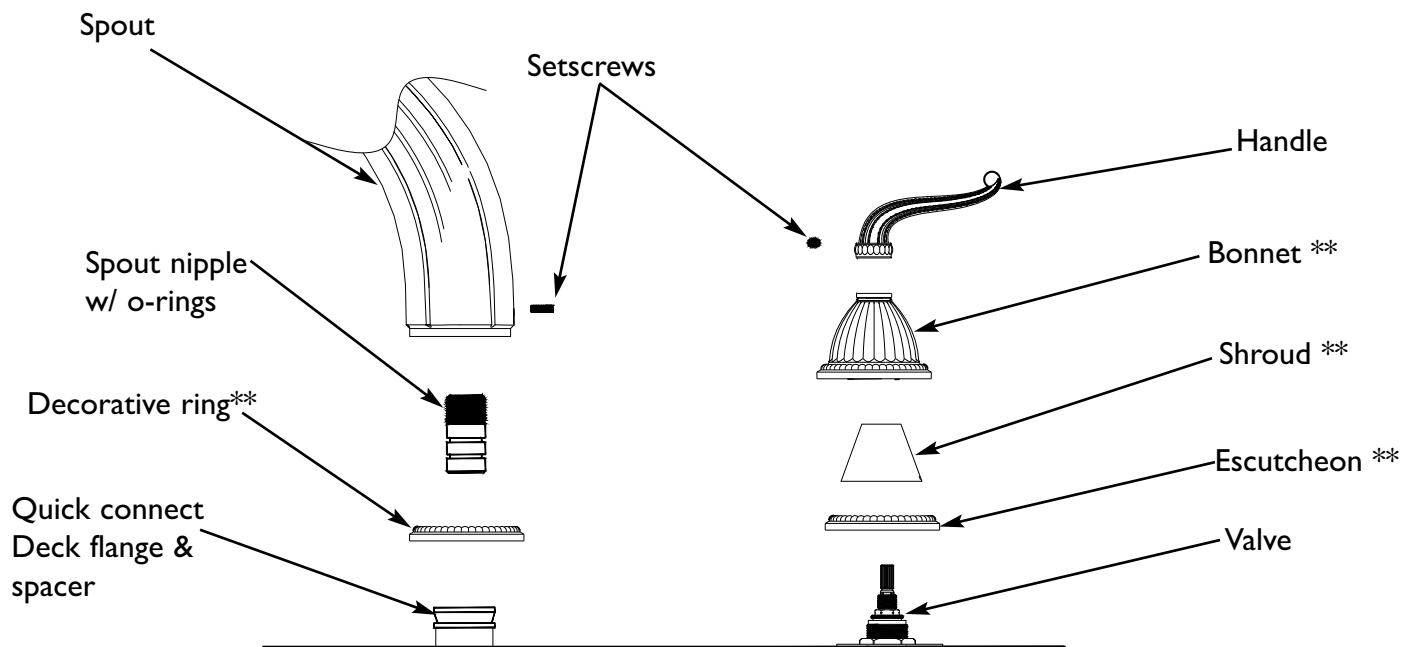


Fig. 3

\*\* Optional item based on model selection

(949)417-5207  
 Santa Ana, Ca. 92705  
 www.brasstech.com

11/23/2015