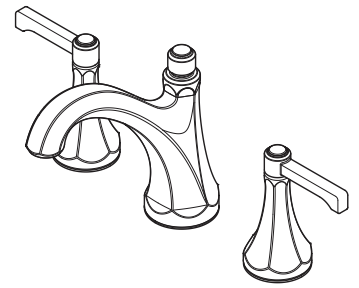


Single Control Lavatory Faucet



- LG49-DEOC Finish(C)
- LG49-DEOD Finish(D)
- LG49-DEOK Finish(K)
- LG49-DEOY Finish(Y)

Specifications

- Lever Handles
- 3-Hole Installation

Features

- 1.2 GPM Flow Rate
- Metal Lever Handles
- Includes Mounting Hardware
- 3-Hole Installation
- Pforever Warranty®

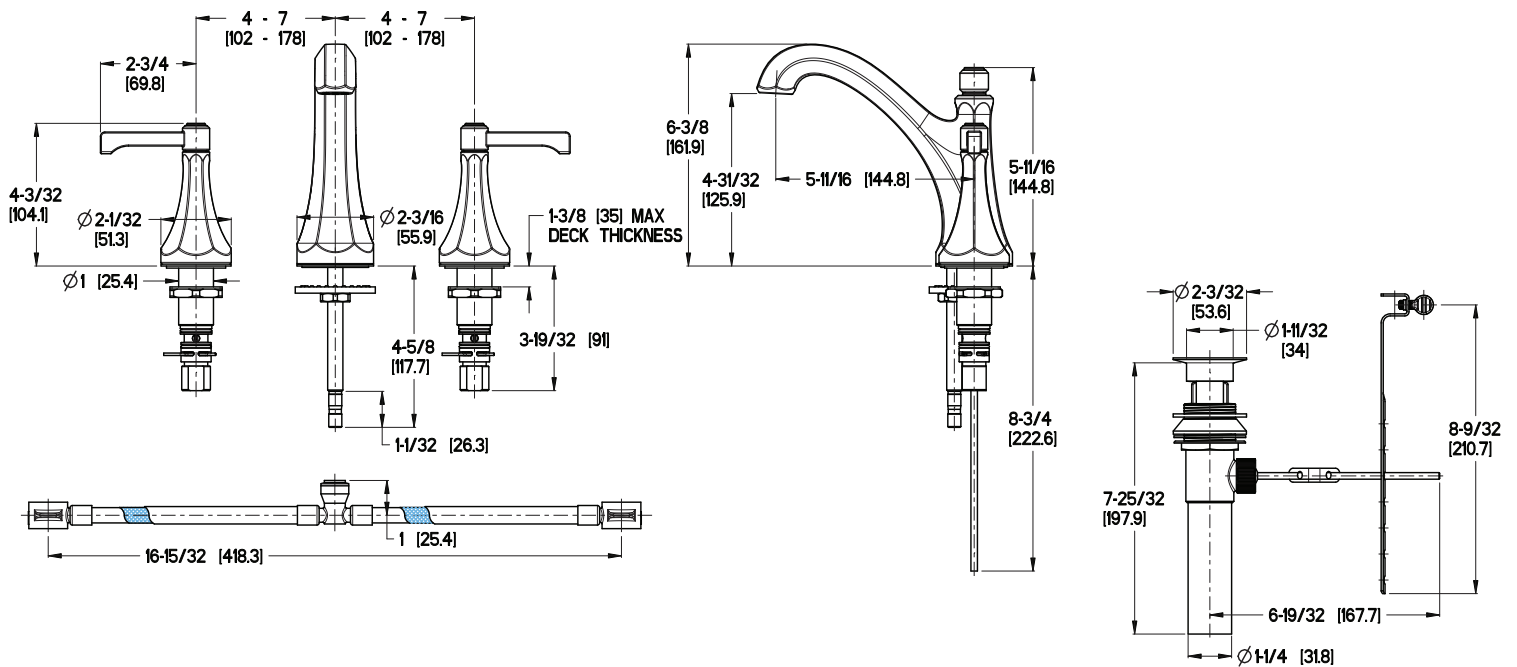
Code Compliance

Pfister products are designed and manufactured in compliance with the following standards and codes:

- IAPMO Certified
- CSA B125 Certified
- ASME A112.18.1
- NSF 61/9 Annex G (Low lead)
- Cal Green Compliant
- EPA WaterSense Certification 1.2 gpm, 4.5L/Min
- ADA Compliant-ANSI A117.1 (Lever handles only)



Dimensions



Ø1 Min to Ø1-1/2 Max. Deck Hole Openings