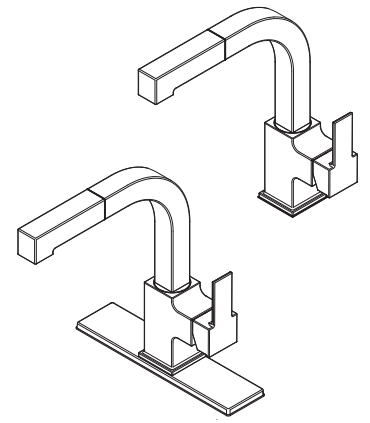


- LG534-LPMB Finish(B)
- LG534-LPMC Finish(C)
- LG534-LPMS Finish(S)



## Specifications

- 1 or 3-Hole Installation
- Pforever Seal

### Features

- 1.8 GPM Flow Rate
- 1 or 3-Hole Installation; Deck Plate or Single Hole Mounting Option
- 2 Function Pullout Sprayer
- Forward Handle Operation
- Pforever Seal Ceramic Disc Valve
- Pforever Warranty®

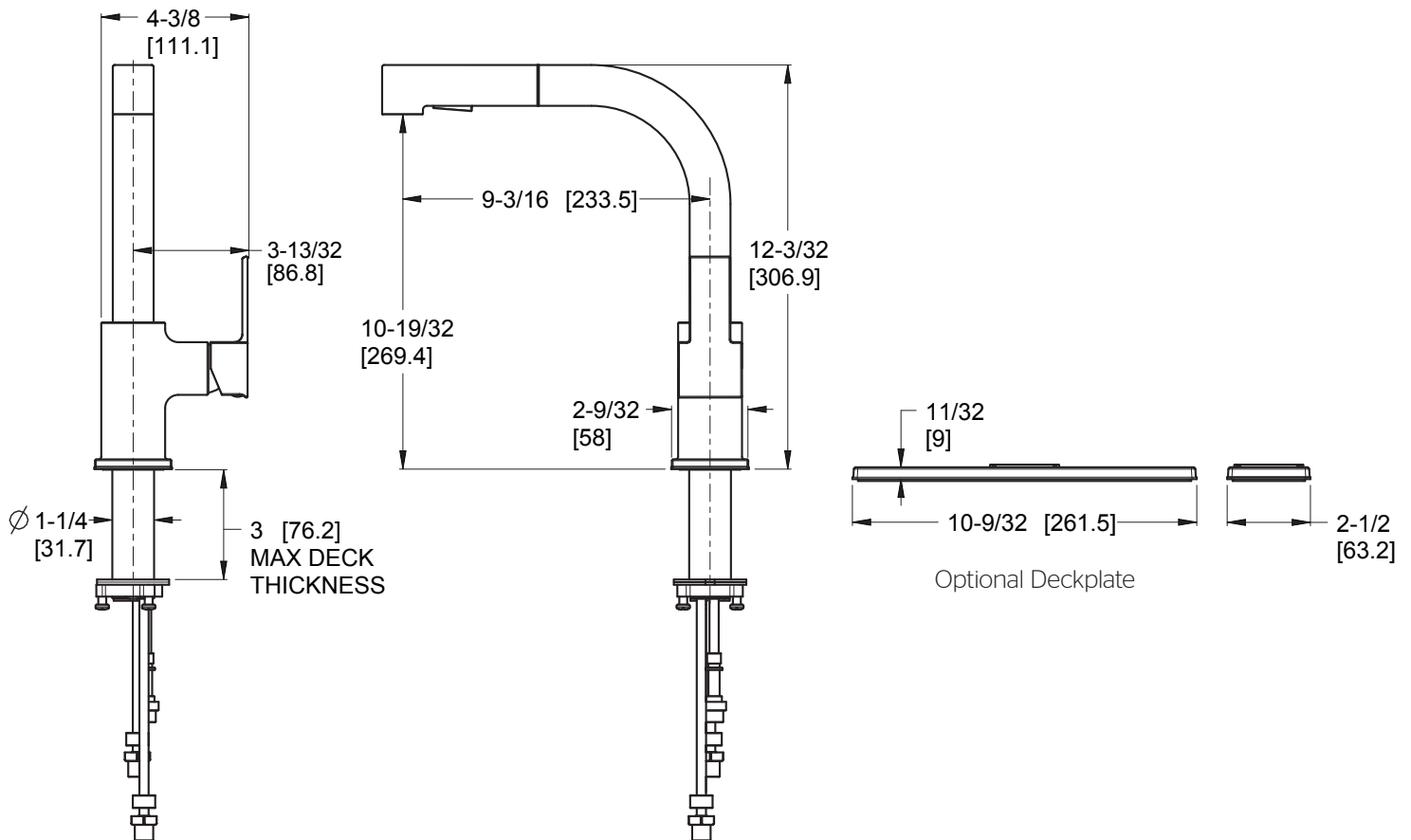
### Code Compliance

Pfister products are designed and manufactured in compliance with the following standards and codes:

- IAPMO Certified
- CSA B125 Certified
- ASME A112.18.1
- NSF 61/9 Annex G (Low lead)
- Cal Green Compliant
- CEC Compliant
- ADA Compliant-ANSI A117.1 (Lever handles only)
- ASME A112.18.3 (Backflow Prevention)



## Dimensions



Ø1-3/8 Min to Ø1-1/2 Max. Deck Hole Openings