

STERLING®

A KOHLER COMPANY

Features

- Compression molded from our exclusive solid Vikrell® material
- Folding transfer seat with stainless steel support
- Factory installed stainless steel grab bars
- Durable swirl-gloss finish
- 10-year consumer/3-year commercial limited warranty
- Tongue-and-groove 4-piece modular design allows for easy "snap together" installation
- 1/2" (13 mm) threshold
- 39-5/8" (1006 mm) x 40-5/8" (1032 mm) x 73-1/4" (1861 mm) direct-to-stud rough-in, including flange
- 39-3/8" (1000 mm) x 39-3/8" (1000 mm) x 72" (1829 mm) complete unit finished dimensions

Codes/Standards Applicable

Specified model meets or exceeds the following:

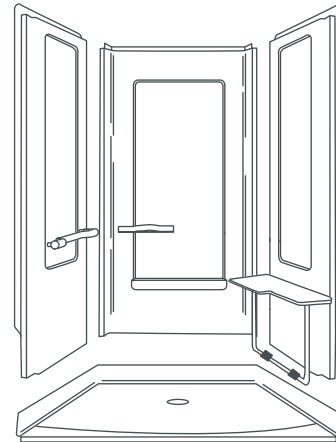
- ASTM E162
- ASTM E662
- CSA B45.5/IAPMO Z124
- HUD, UM Bulletin 73A
- NAHB Research Foundation, Inc.

Specified Model

Model	Complete Unit Description	Colors/Finishes	
62050115	39" (991 mm) shower base and wall surround, with grab bars on the left, with transfer seat on the right	<input type="checkbox"/> 0	<input type="checkbox"/> Other _____
62050125	39" (991 mm) shower base and wall surround, with grab bars on the right, with transfer seat on the left	<input type="checkbox"/> 0	<input type="checkbox"/> Other _____

39" (991 mm) SHOWER BASE AND SURROUND

62050115
ALSO 62050125



Colors/Finishes

- 0: White
- Other: Refer to Price Book for additional colors/finishes

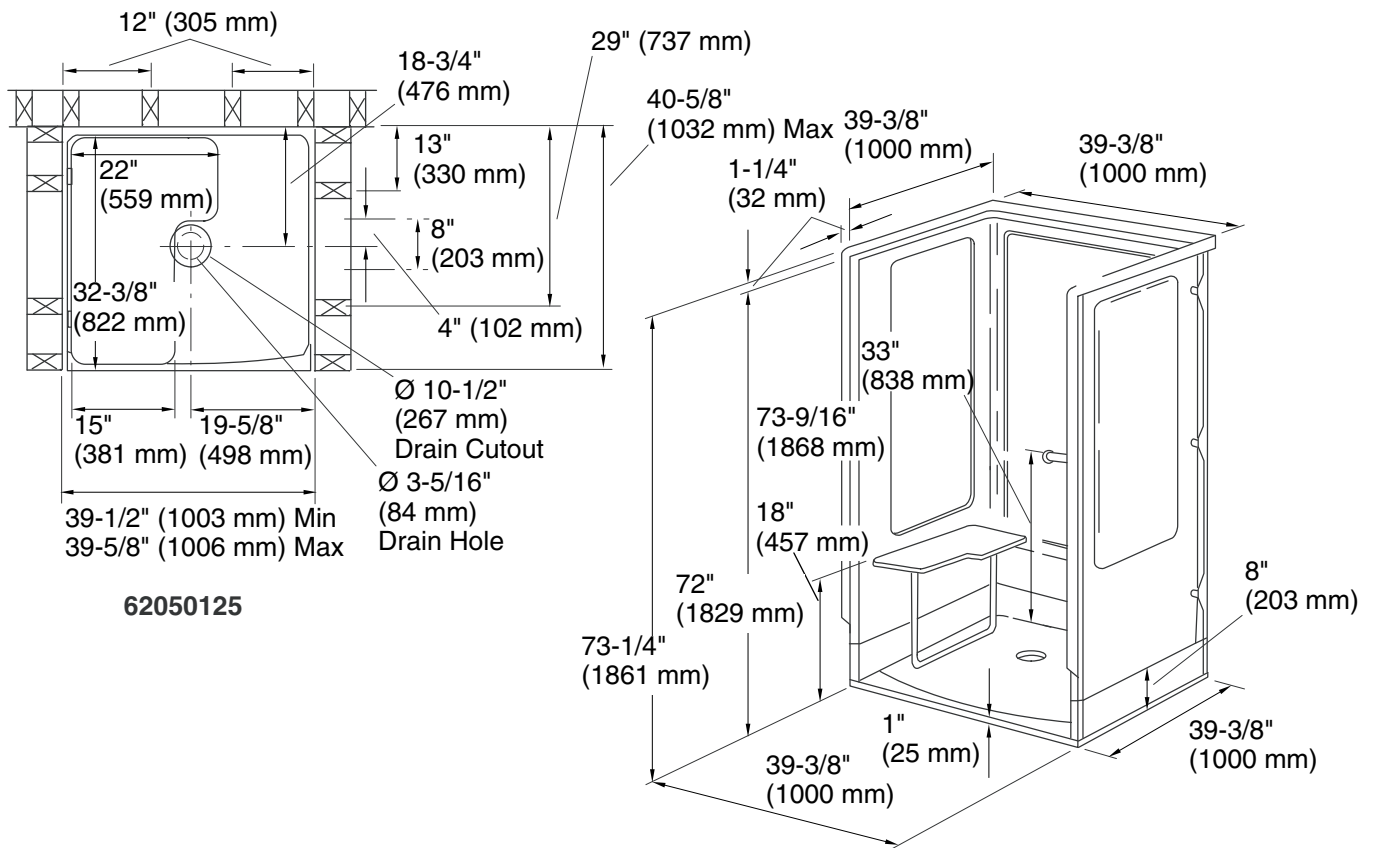
Installation Notes

Install this product according to the installation guide.

Drain cutout in subfloor to be 10-1/2" (267 mm) per roughing-in illustration below to allow the backside of the drain to sit below the subfloor surface.

Studs should be positioned as shown.

Backer boards and fasteners protrude beyond the back wall 1-1/2" (38 mm). If installing this product against wall board, 1-1/2" (38 mm) furring strips installed over the wall board are recommended. The stud pocket depth of 40-5/8" (1032 mm) will need to be increased by the combined thickness of the wall board and furring strips.



Product Diagram