



Vista Pivot™ II

Framed Pivot Shower Door

1500D-27

Features

- Framed
- 1/8" glass
- Out-of-plumb adjustability
- Tempered glass ensures maximum safety and durability
- Anodized aluminum prevents rusting and corrosion
- 5" inline panel (5/32" thick)

Installation

- Not for use in hospitality.
- For residential use only.

Included Components

Additional Components:
Hardware kit



Codes/Standards

ANSI Z97.1
CPSC 16CFR 1201

STERLING® Warranty - Bath and Shower Doors

See website for detailed warranty information.

Available Colors/Finishes

Color tiles intended for reference only.

| Color | Code | Description |
|-------|------|-------------|
|-------|------|-------------|

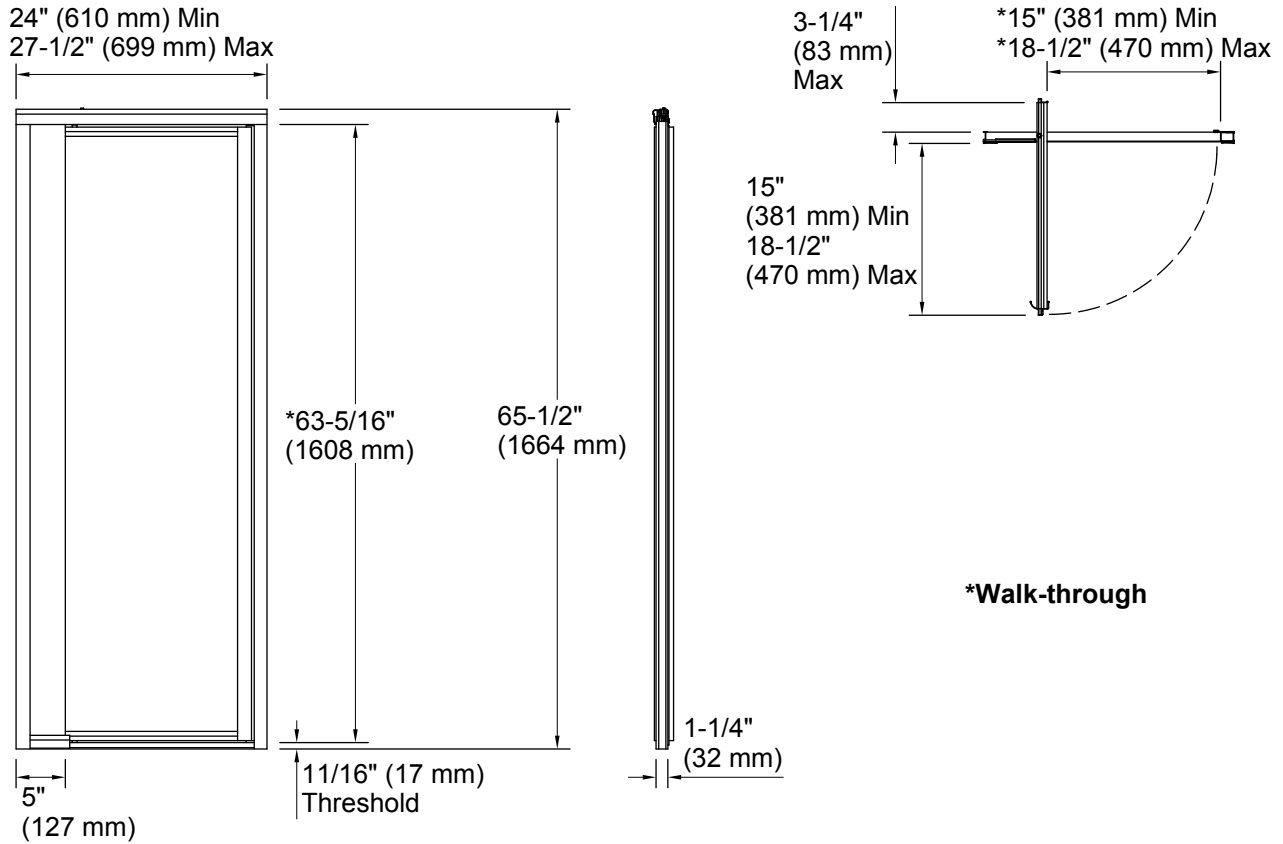
| | | |
|--|---|--|
| | S | |
|--|---|--|

Available Glass Options

| Code | Description |
|------|-------------|
|------|-------------|

| | |
|--|---------|
| | Pebbled |
|--|---------|

Vista Pivot™ II
Framed Pivot Shower Door
1500D-27



***Walk-through**

Technical Information

All product dimensions are nominal.
 Installation type: For shower base installation
 Opening Width - Min: 24" (610 mm)
 Opening Width - Max: 27-1/2" (699 mm)
 Walk-through - Min: 15" (381 mm)
 Walk-through - Max: 18-1/2" (470 mm)
 Glass thickness: 1/8" (3 mm)

Notes

Install this product according to the installation guide.
 The vertical opening should be a minimum of 67" (1702 mm) to allow for installation clearance.