



Standard pivot shower door, 64" H x 23-1/2"-25" W
26926-3G06

Features

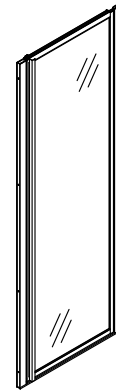
- Full-length magnetic seal keeps door firmly closed, providing excellent water containment.
- 1/8" (3 mm) thick tempered and fully framed glass ensures maximum safety and durability.
- 64" (1625.6 mm) high, with no minimum head clearance restriction.
- Inner and outer full length integrated aluminum handles provide easy operation.
- Integrated drip rail directs water back into the shower.
- Rain-textured glass provides privacy and decorative design.
- Made in the U.S.A.

Material

- Anodized aluminum prevents rust and corrosion.

Installation

- Fits opening widths 23-1/2" - 25" (597 - 635 mm).
- Requires 1" (25 mm) minimum threshold depth.
- Door can be installed to open to the left or right to suit your bathroom layout.
- Out-of-plumb adjustability simplifies installation.
- For residential use only.
- Not for use in hospitality.



Codes/Standards

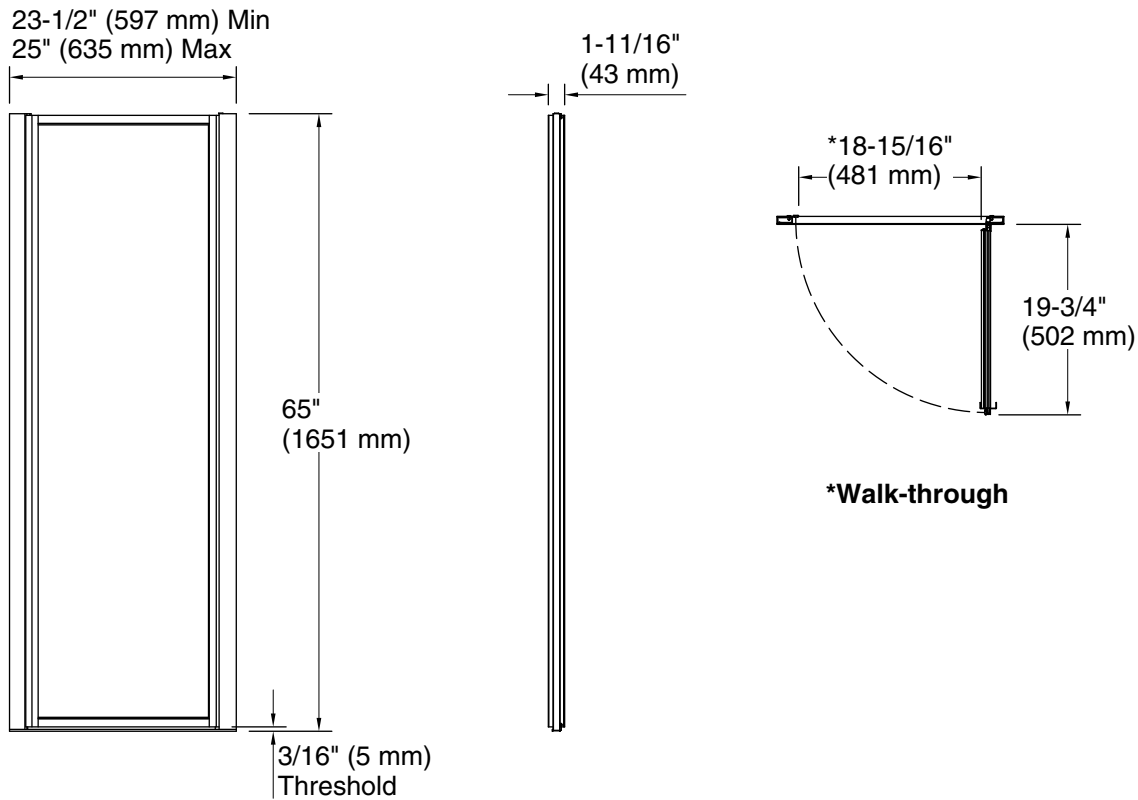
ANSI Z97.1
CPSC 16CFR 1201

STERLING® Bath and Shower Doors Three-Year Limited Warranty

See website for detailed warranty information.

Available Glass Options

Code	Description
G06	Rain



***Walk-through**

Technical Information

All product dimensions are nominal.

- Installation type: For shower base installation
- Opening Width - Min: 23-1/2" (597 mm)
- Opening Width - Max: 25" (635 mm)
- Walk-through - Min: 18-15/16" (481 mm)
- Walk-through - Max: 18-15/16" (481 mm)
- Base-To-Wall Radius - Max: 3/8" (10 mm)
- Glass thickness: 1/8" (3 mm)

Notes

- Install this product according to the installation instructions.
- The vertical opening should be a minimum of 65" (1651 mm) to allow for installation clearance.