



Features

- Drop-in installation
- 20" bath depth
- Solid Vikrell® material
- Durable high-gloss finish
- End drain can be installed as left- or right-hand drain



Codes/Standards



CSA B45.5/IAPMO Z124
ASTM E162
ASTM E662
Greenguard UL 2818 - Gold
HUD, UM Bulletin 73

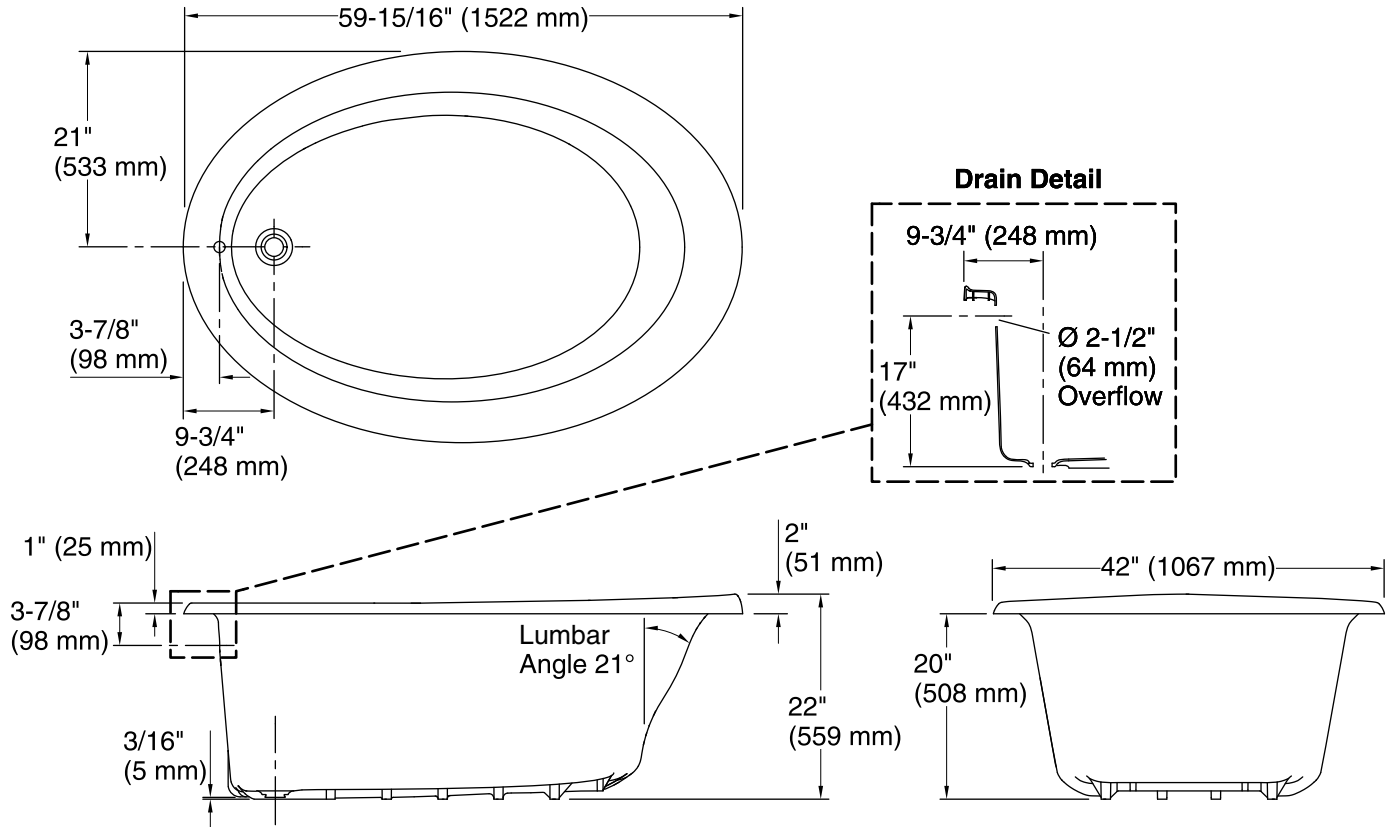
**Warranty – Bathing Fixtures (and)
Kitchen and Utility Sinks Made of Solid
Vikrell® Material**

See website for detailed warranty information.

Available Colors/Finishes

Color tiles intended for reference only.

Color	Code	Description
	0	White
	96	KOHLER Biscuit



Technical Information

All product dimensions are nominal.

- Installation: Drop-in
- Drain location: End
- Basin area, bottom: 38-5/8" x 24-1/2" (980 mm x 622 mm)
- Basin area, top: 58-1/16" x 39-9/16" (1475 mm x 1005 mm)
- Water depth: 15" (381 mm)
- Water capacity: 68 gal (257.4 L)

Notes

Install this product according to the installation instructions.