



**Features**

- Alcove installation
- 4-1/2" threshold
- Solid Vikrell material
- Durable high-gloss finish
- Center drain
- Three-piece, tongue-and-groove walls with snap-together installation
- Some caulk required
- Convenient shelves, shaving ledge/footrest

**Recommended Products/Accessories**

- 1500D-36 Framed Pivot Shower Door
- 1505D-36 Framed Pivot Shower Door
- 1507D-36 Framed Pivot Shower Door
- 1530D-36 Framed Pivot Shower Door
- 1535D-36 Framed Pivot Shower Door
- 6305-34 Frameless Pivot Shower Door
- 6505-33 Framed Pivot Shower Door
- 6506-33 Framed Pivot Shower Door

**Included Components**

Product consists of:

- 72202100 36" Shower Back Wall
- 72101100 36" shower base
- 72205100 34" Shower End Wall Set



**Codes/Standards**



- CSA B45.5/IAPMO Z124
- ASTM E162
- ASTM E662
- Greenguard UL 2818 - Gold

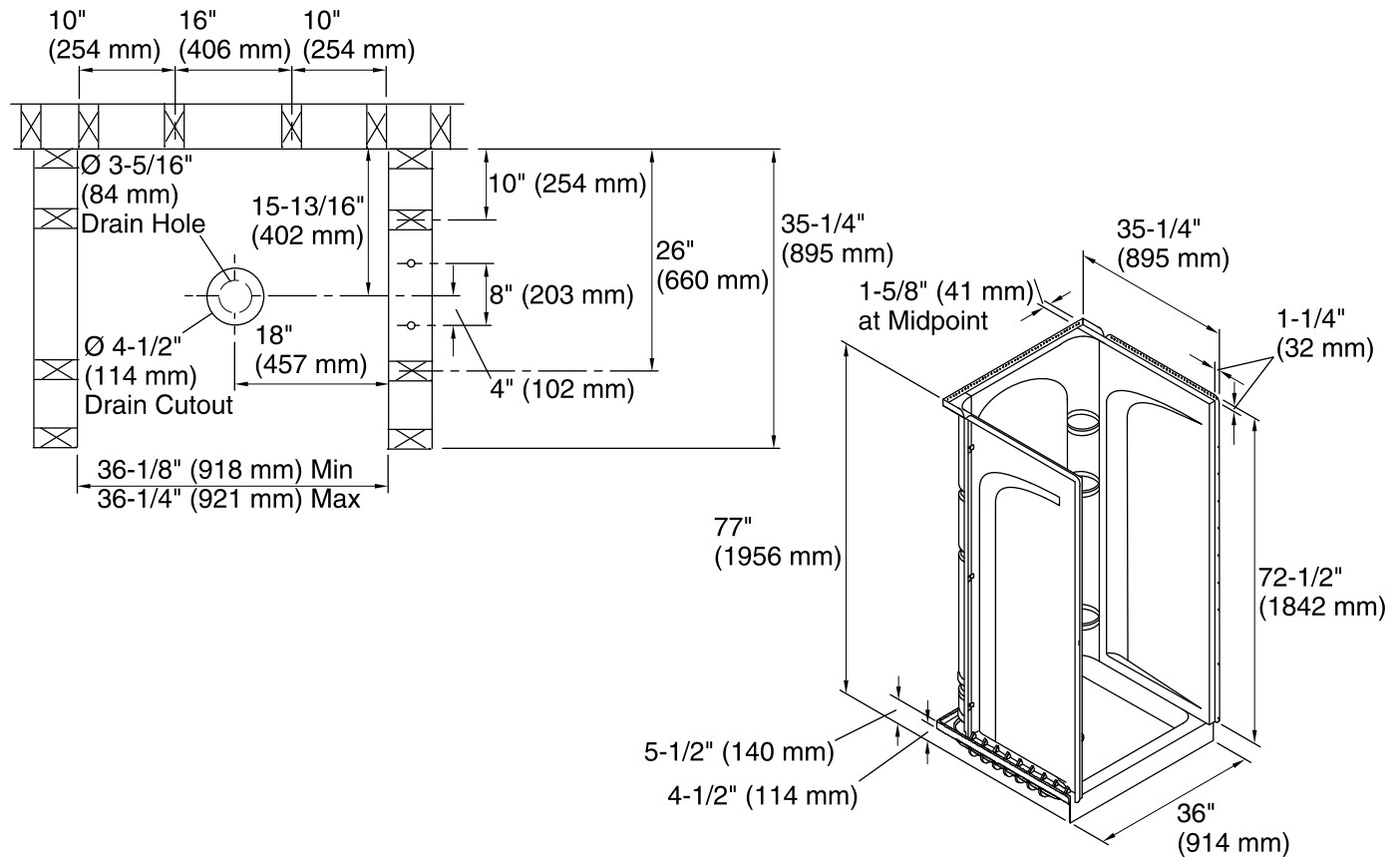
**Warranty – Bathing Fixtures (and) Kitchen and Utility Sinks Made of Solid Vikrell® Material**

See website for detailed warranty information.

**Available Colors/Finishes**

*Color tiles intended for reference only.*

Color	Code	Description
	0	White
	96	KOHLER Biscuit



### Technical Information

All product dimensions are nominal.

Installation: Three-wall alcove

Drain location: Center

Minimum flat for door: 3" (76 mm)

Threshold height: 4-1/2" (114 mm)

Maximum door height: 70-1/2" (1791 mm)

Maximum door width: 32-5/8" (829 mm)

### Notes

Install this product according to the installation instructions.

Studs should be positioned roughly as shown.

Double studding is recommended for pivot shower door installations.