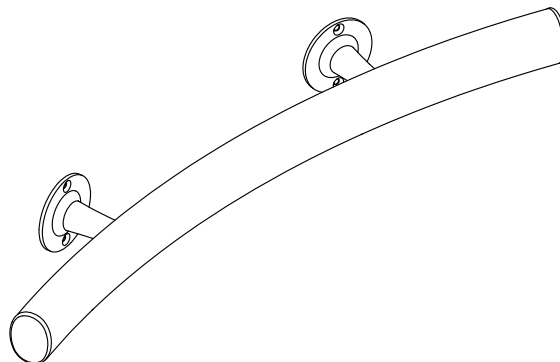


Features

- Installs from front of wall
- Adjustable mounting brackets fit your specific installation requirements
- Anodized aluminum
- Elliptical shape makes the bar easier to grip
- Back wall grab bar matches the curve of Accord family products for a clean, stylish design line
- Available in finishes to coordinate with nickel and silver shower door finishes

Included Components

Additional Components:
Installation hardware



Codes/Standards

ASTM F446

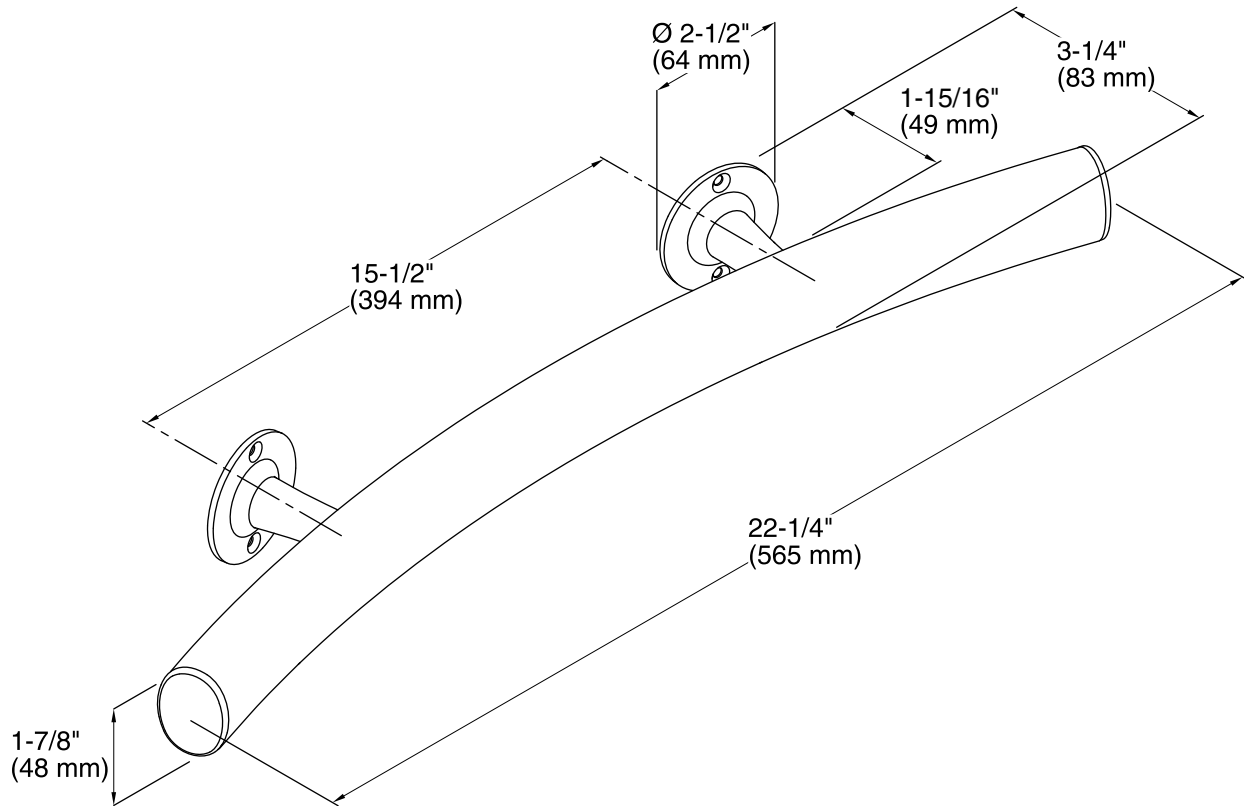
STERLING® Warranty - Grab Bars

See website for detailed warranty information.

Available Colors/Finishes

Color tiles intended for reference only.

Color	Code	Description
	N	Nickel
	V	Matte Silver



Technical Information

All product dimensions are nominal.

Notes

Install this product according to the installation guide.

WARNING: Risk of personal injury. Unless properly installed, the grab bar may not adequately support the weight of the user.

For use on Age-in-Place surrounds only. Obtain backer board locations from the specification sheet for your model.